

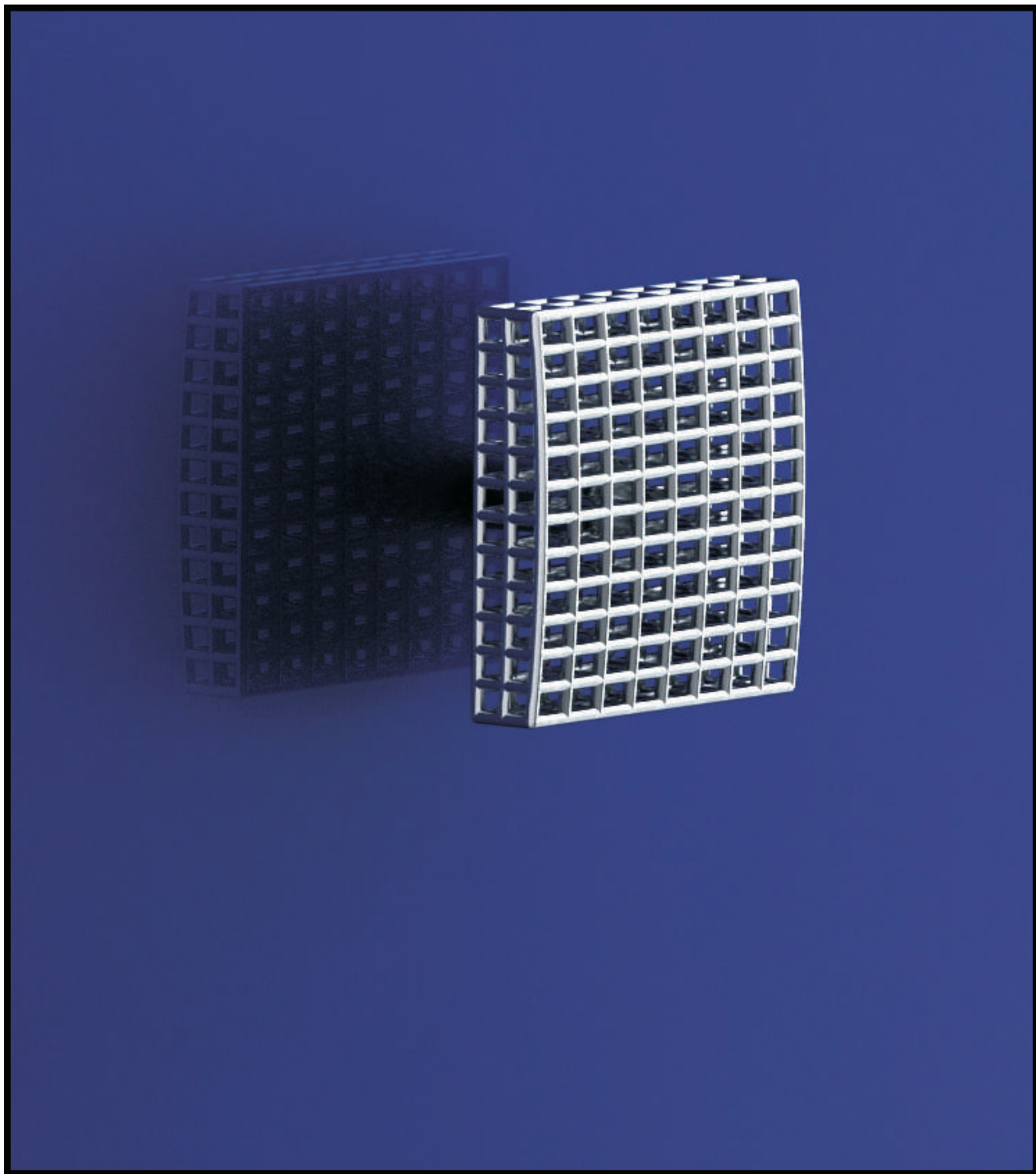
MANIGLIE PER MOBILI KNOBS

D
E
S
I
G
N

M
A
D
E

I
N

I
T
A
L
Y

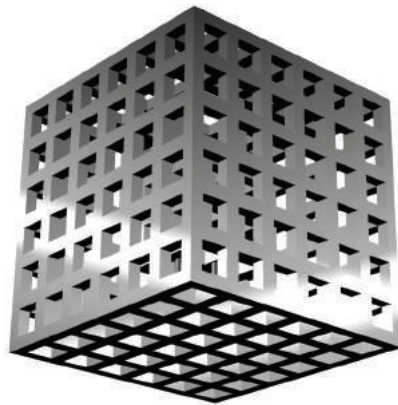


Reticube[®]
technology

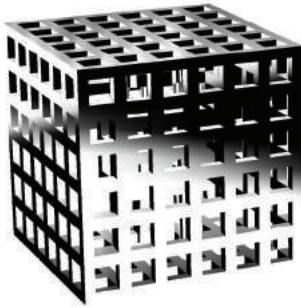
WORLDWIDE PATENT

TUTTO NASCE DA UN PROGETTO...

EVERYTHING COMES FROM A PROJECT...



POMELLI 3D - 3D KNOBS



RETICUBE TECHNOLOGY

LA TECNOLOGIA RETICUBE PERMETTE DI OTTENERE MANIGLIE TRIDIMENSIONALI DI QUALSIASI FORMA E STRUTTURA: CON SOTTOSQUADRI, IN GABBIA VUOTA, ETC, DAI MODELLI PIÙ SEMPLICI A QUELLI PIÙ COMPLESSI E PARTICOLARI.

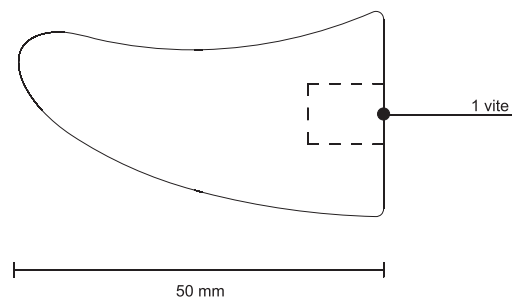
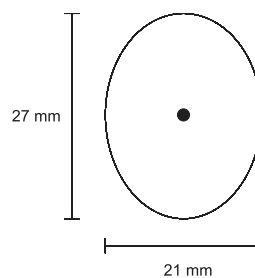
THIS TECHNOLOGY ALLOWS TO OBTAIN THREE-DIMENSIONAL HANDLES OF ANY TYPE OF SHAPE AND STRUCTURE: WITH UNDERCUTS, IN AN EMPTY CAGE, ETC., FROM THE SIMPLEST MODELS TO THE MOST COMPLEX AND PARTICULAR ONES.

ALAMARO LUX

MADE WITH SWAROVSKI

Reticube®
technology
WORLDWIDE PATENT

Q0035



MATERIALE/ MATERIAL

OTTONE/ SOLID BRASS

FINITURE /FINISHING

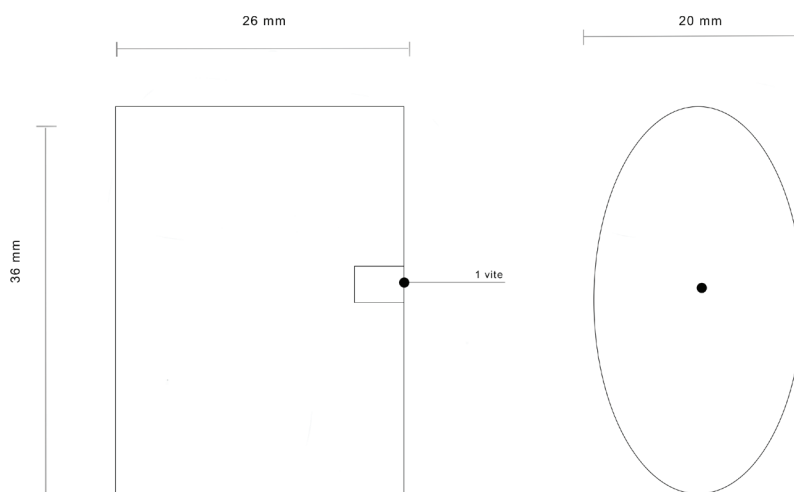
CROMO/ CHROME - PALLADIO /PALLADIUM - OTTONE INGLESE/ ENGLISH BRASS - CORTEN - PVD

WWW.RETICUBE.IT

POMELLI - KNOBS

ARIZONA

Q0369



MATERIALE/ MATERIAL

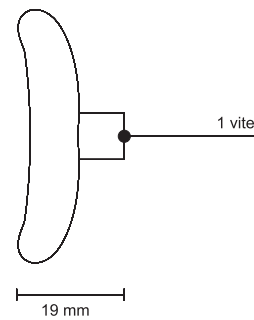
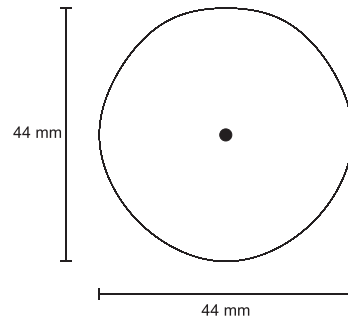
OTTONE/ SOLID BRASS

FINITURE /FINISHING

CROMO/ CHROME - PALLADIO /PALLADIUM - OTTONE INGLESE/ ENGLISH BRASS - BRUNITO SBIANCATO/POLISHED BLACK- CORTEN - PVD

BOTTON

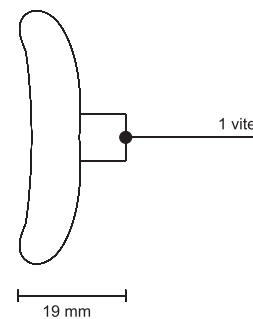
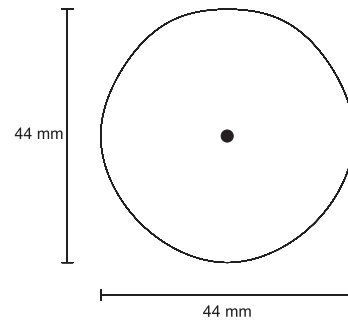
Q0151



BOTTON LUX

MADE WITH SWAROVSKI

Q0153



MATERIALE/ MATERIAL

OTTONE/ SOLID BRASS

FINITURE /FINISHING

CROMO/ CHROME - PALLADIO /PALLADIUM - OTTONE INGLESE/ ENGLISH BRASS - CORTEN - PVD

WWW.RETICUBE.IT

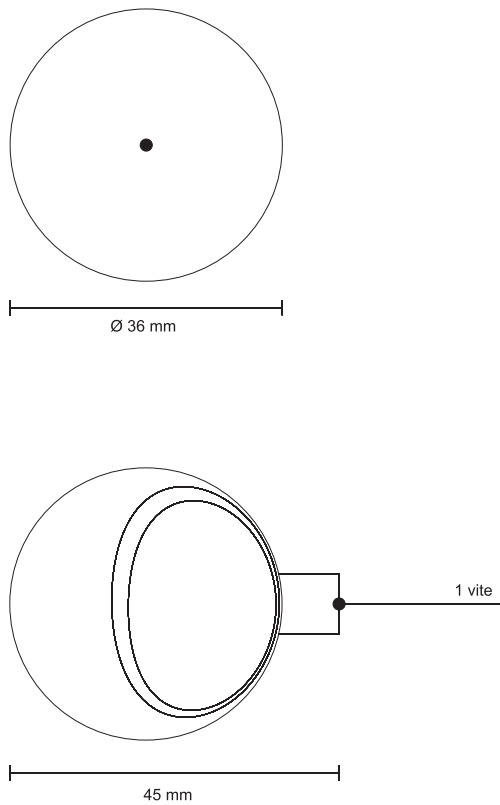
MANIGLIE PER MOBILI - FORNITURE HANDLES

CESTINO LUX

MADE WITH SWAROVSKI

Reticube®
technology
WORLDWIDE PATENT

Q0132



MATERIALE/ MATERIAL

OTTONE/ SOLID BRASS

FINITURE /FINISHING

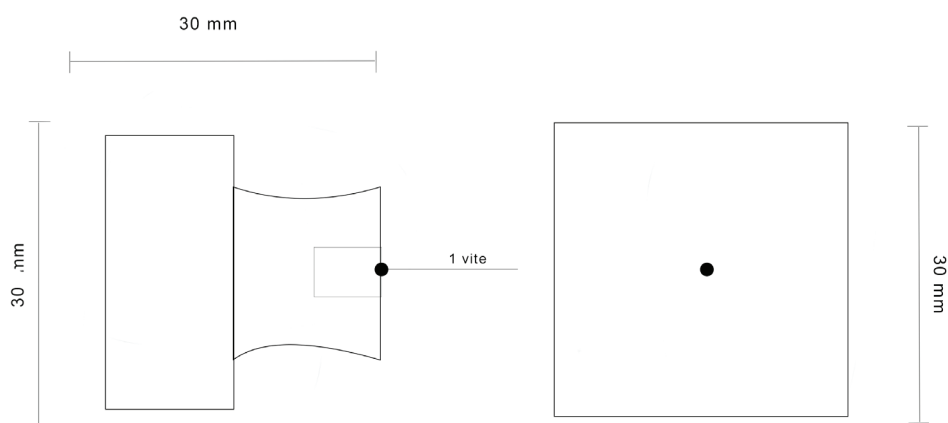
CROMO/ CHROME - PALLADIO /PALLADIUM - OTTONE INGLESE/ ENGLISH BRASS - BRUNITO SBIANCATO/POLISHED BLACK- CORTEN - PVD

WWW.RETICUBE.IT

POMELLI - KNOBS

COLORADO

00358



MATERIALE/ MATERIAL

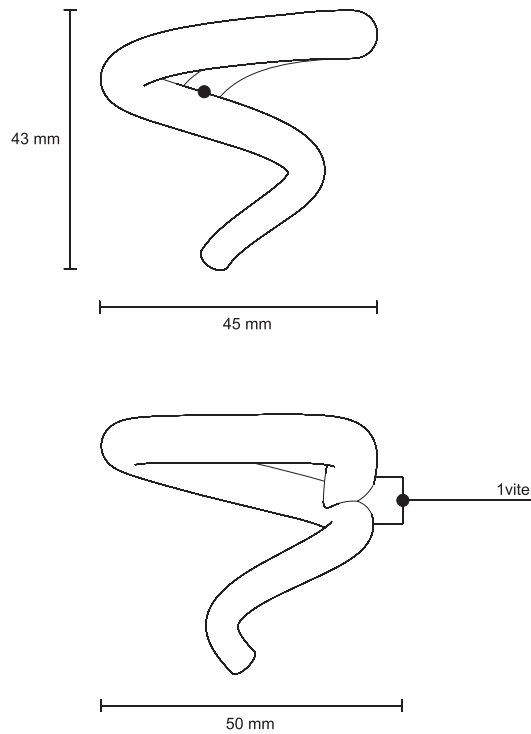
OTTONE/ SOLID BRASS

FINITURE /FINISHING

CROMO/ CHROME - PALLADIO /PALLADIUM - OTTONE INGLESE/ ENGLISH BRASS - CORTEN - PVD

COBRA

Q0080



MATERIALE/ MATERIAL

OTTONE/ SOLID BRASS

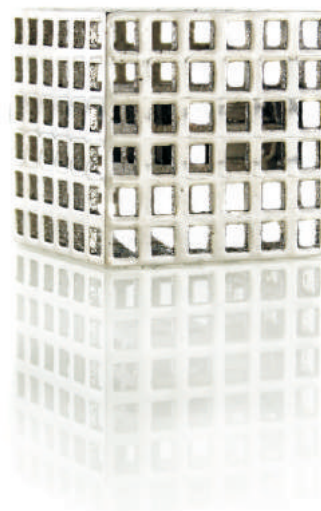
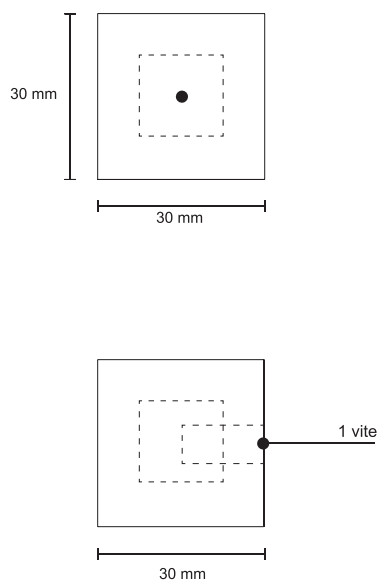
FINITURE /FINISHING

CROMO/ CHROME - PALLADIO /PALLADIUM - OTTONE INGLESE/ ENGLISH BRASS - BRUNITO SBIANCATO/POLISHED BLACK- CORTEN - PVD

CUBO

Reticube®
technology
WORLDWIDE PATENT

Q0186



MATERIALE/ MATERIAL

OTTONE/ SOLID BRASS

FINITURE /FINISHING

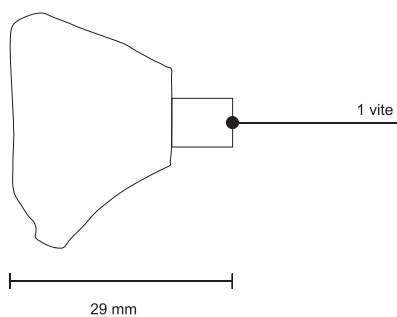
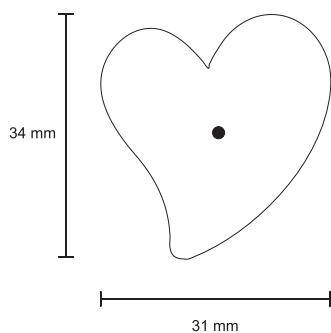
CROMO/ CHROME - PALLADIO /PALLADIUM - OTTONE INGLESE/ ENGLISH BRASS - CORTEN - PVD

WWW.RETICUBE.IT

POMELLI - KNOBS

CUORE

Q0178



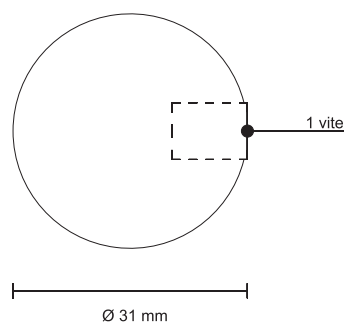
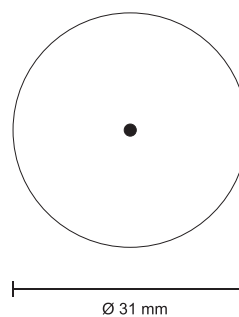
MATERIALE/ MATERIAL

OTTONE/ SOLID BRASS

FINITURE /FINISHING

CROMO/ CHROME - PALLADIO /PALLADIUM - OTTONE INGLESE/ ENGLISH BRASS - BRUNITO SBIANCATO/POLISHED BLACK- CORTEN - PVD

Q0221



MATERIALE/ MATERIAL

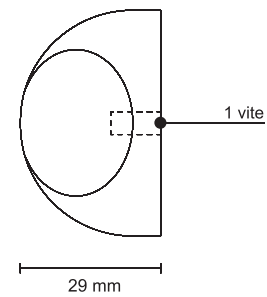
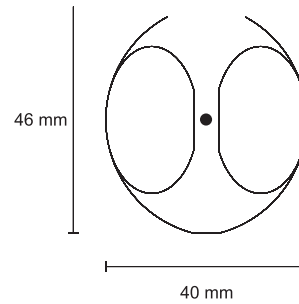
OTTONE/ SOLID BRASS

FINITURE /FINISHING

CROMO/ CHROME - PALLADIO /PALLADIUM - OTTONE INGLESE/ ENGLISH BRASS - CORTEN - PVD

DARLING

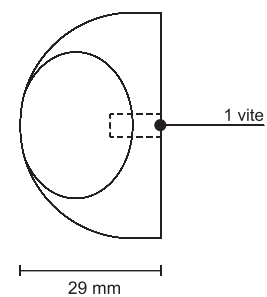
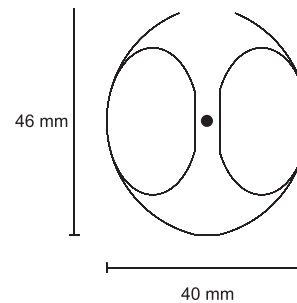
Q0192



DARLING LUX

MADE WITH SWAROVSKI

Q0194



MATERIALE/ MATERIAL

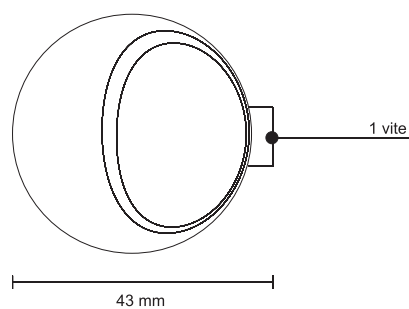
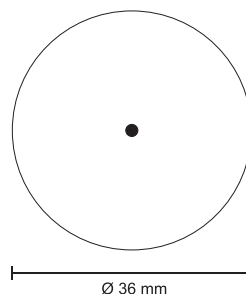
OTTONE/ SOLID BRASS

FINITURE /FINISHING

CROMO/ CHROME - PALLADIO /PALLADIUM - OTTONE INGLESE/ ENGLISH BRASS - CORTEN - PVD

DEEJAY

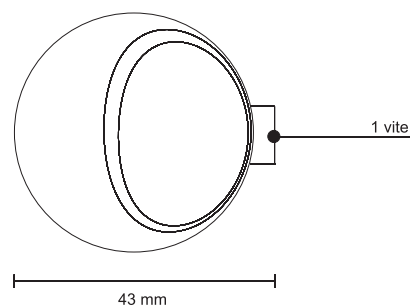
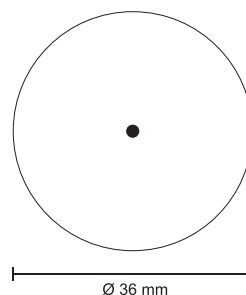
Q0079



DEEJAY LUX

MADE WITH SWAROVSKI

Q0104



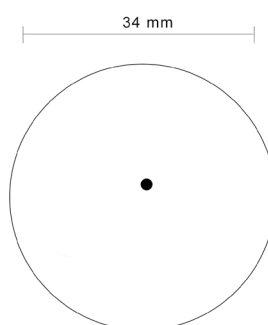
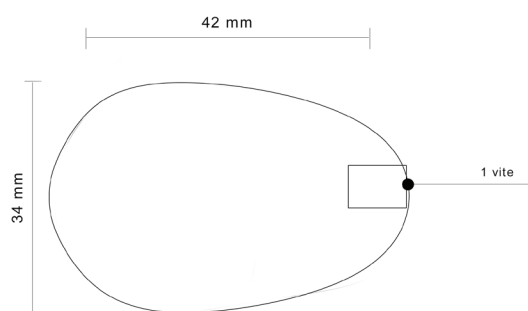
MATERIALE/ MATERIAL

OTTONE/ SOLID BRASS

FINITURE /FINISHING

CROMO/ CHROME - PALLADIO /PALLADIUM - OTTONE INGLESE/ ENGLISH BRASS - CORTEN - PVD

Q0353



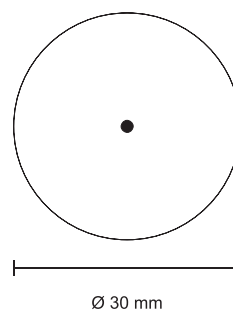
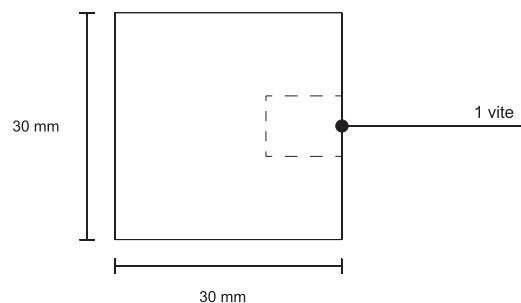
MATERIALE/ MATERIAL

OTTONE/ SOLID BRASS

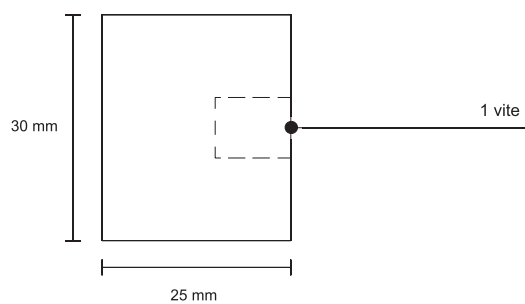
FINITURE /FINISHING

CROMO/ CHROME - PALLADIO /PALLADIUM - OTTONE INGLESE/ ENGLISH BRASS - BRUNITO SBIANCATO/POLISHED BLACK- CORTEN - PVD

Q0220/30



Q0220/25



MATERIALE/ MATERIAL

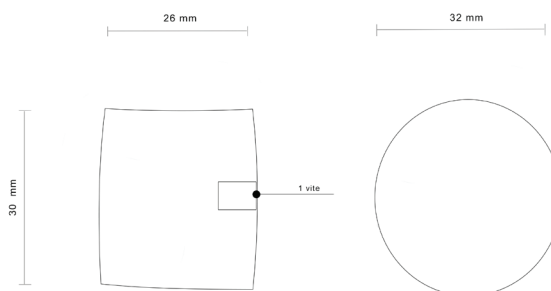
OTTONE/ SOLID BRASS

FINITURE /FINISHING

CROMO/ CHROME - PALLADIO /PALLADIUM - OTTONE INGLESE/ ENGLISH BRASS - CORTEN - PVD

FOGLIA

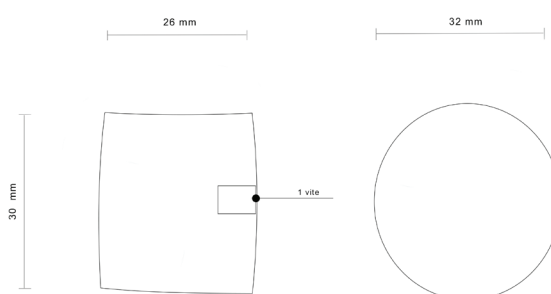
Q0365



FOGLIA LUX

MADE WITH SWAROVSKI

Q0374



MATERIALE/ MATERIAL

OTTONE/ SOLID BRASS

FINITURE /FINISHING

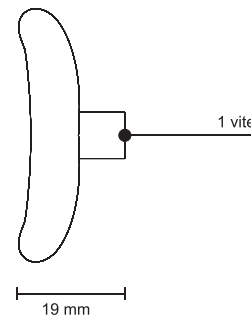
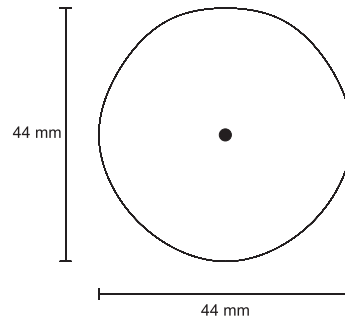
CROMO/ CHROME - PALLADIO /PALLADIUM - OTTONE INGLESE/ ENGLISH BRASS - CORTEN - PVD

WWW.RETICUBE.IT

MANIGLIE PER MOBILI - FORNITURE HANDLES

GIRASOLE

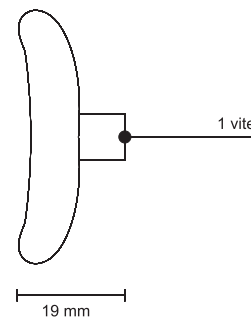
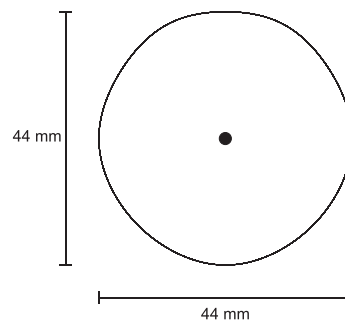
Q0152



GIRASOLE LUX

MADE WITH SWAROVSKI

Q0133



MATERIALE/ MATERIAL

OTTONE/ SOLID BRASS

FINITURE /FINISHING

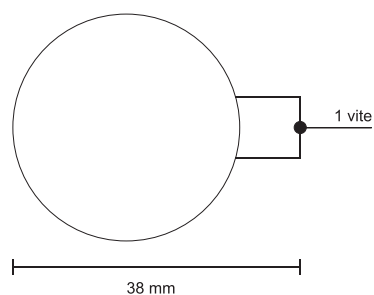
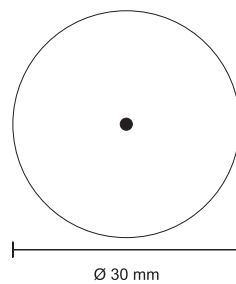
CROMO/ CHROME - PALLADIO /PALLADIUM - OTTONE INGLESE/ ENGLISH BRASS - CORTEN - PVD

WWW.RETICUBE.IT

MANIGLIE PER MOBILI - FORNITURE HANDLES

GLOBO

Q0127



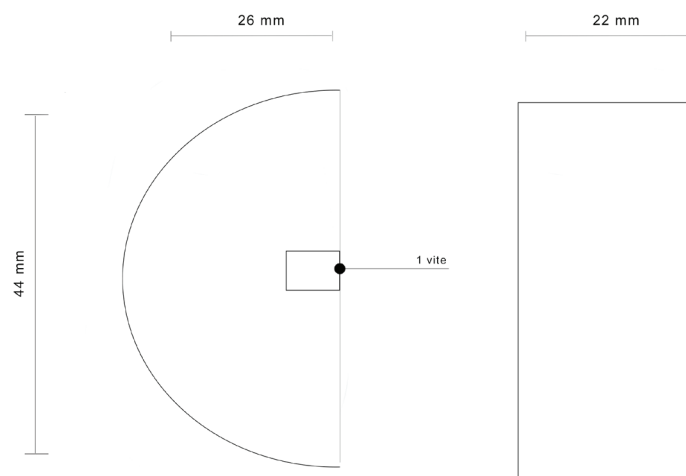
MATERIALE/ MATERIAL

OTTONE/ SOLID BRASS

FINITURE /FINISHING

CROMO/ CHROME - PALLADIO /PALLADIUM - OTTONE INGLESE/ ENGLISH BRASS - BRUNITO SBIANCATO/POLISHED BLACK- CORTEN - PVD

Q0361



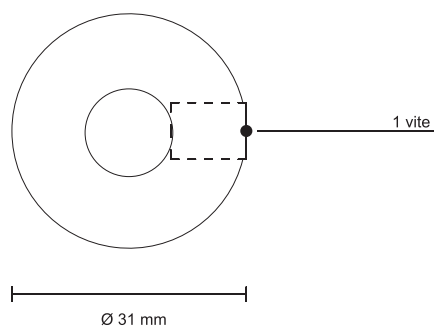
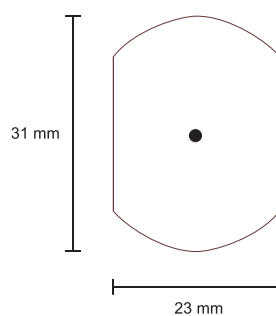
MATERIALE/ MATERIAL

OTTONE/ SOLID BRASS

FINITURE /FINISHING

CROMO/ CHROME - PALLADIO /PALLADIUM - OTTONE INGLESE/ ENGLISH BRASS - CORTEN - PVD

Q0215



MATERIALE/ MATERIAL

OTTONE/ SOLID BRASS

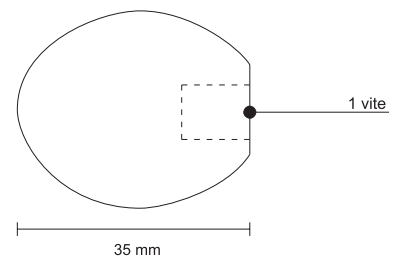
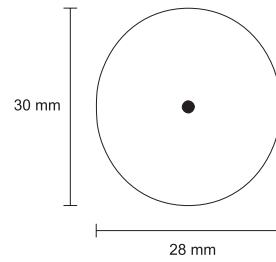
FINITURE /FINISHING

CROMO/ CHROME - PALLADIO /PALLADIUM - OTTONE INGLESE/ ENGLISH BRASS - BRUNITO SBIANCATO/POLISHED BLACK- CORTEN - PVD

KRISS

Reticube[®]
technology
WORLDWIDE PATENT

Q0180



MATERIALE/ MATERIAL

OTTONE/ SOLID BRASS

FINITURE /FINISHING

CROMO/ CHROME - PALLADIO /PALLADIUM - OTTONE INGLESE/ ENGLISH BRASS - CORTEN - PVD

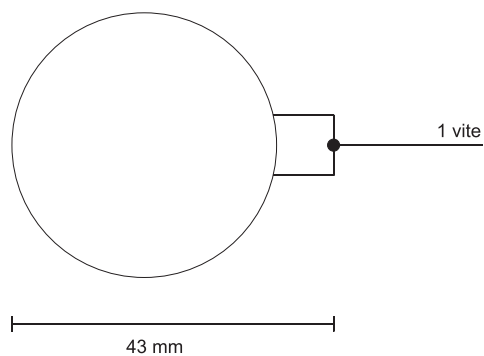
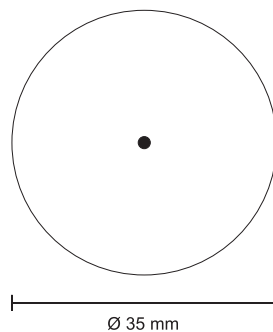
W W W . R E T I C U B E . I T

POMELLI - KNOBS

LULÙ

Reticube®
technology
WORLDWIDE PATENT

Q0126



MATERIALE/ MATERIAL

OTTONE/ SOLID BRASS

FINITURE /FINISHING

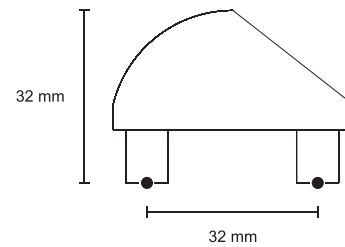
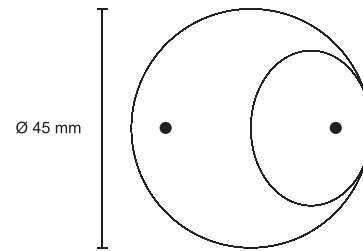
CROMO/ CHROME - PALLADIO /PALLADIUM - OTTONE INGLESE/ ENGLISH BRASS - BRUNITO SBIANCATO/POLISHED BLACK- CORTEN - PVD

WWW.RETICUBE.IT

POMELLI - KNOBS

MARTE

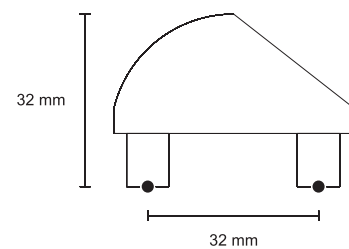
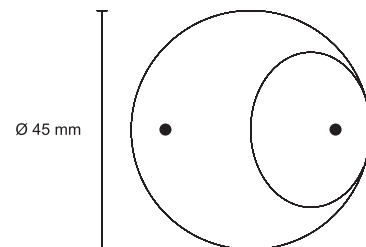
Q0188/32



MARTE LUX

MADE WITH SWAROVSKI

Q0189/32



MATERIALE/ MATERIAL

OTTONE/ SOLID BRASS

FINITURE /FINISHING

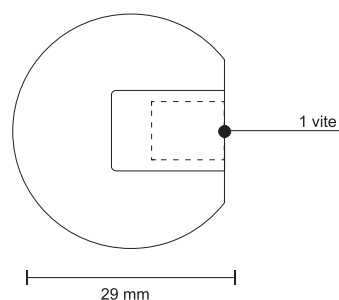
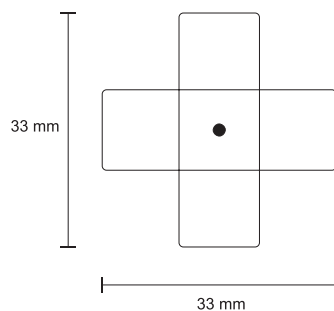
CROMO/ CHROME - PALLADIO /PALLADIUM - OTTONE INGLESE/ ENGLISH BRASS - CORTEN - PVD

WWW.RETICUBE.IT

MANIGLIE PER MOBILI - FORNITURE HANDLES

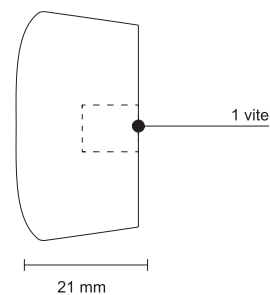
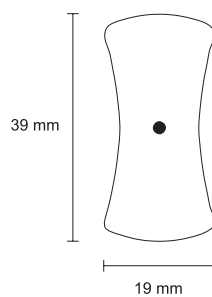
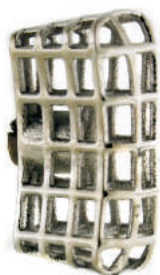
MOOD

Q0175



PEGASO

Q0216



MATERIALE/ MATERIAL

OTTONE/ SOLID BRASS

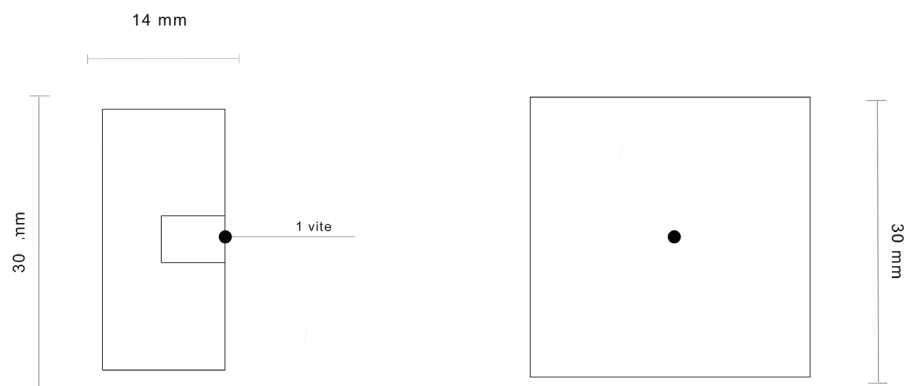
FINITURE /FINISHING

CROMO/ CHROME - PALLADIO /PALLADIUM - OTTONE INGLESE/ ENGLISH BRASS - CORTEN - PVD

OREGON

Reticube®
technology
WORLDWIDE PATENT

Q0359



MATERIALE/ MATERIAL

OTTONE/ SOLID BRASS

FINITURE /FINISHING

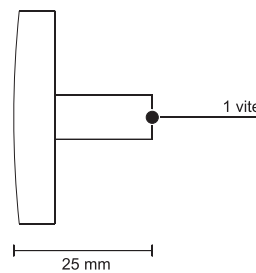
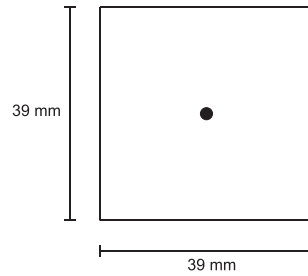
CROMO/ CHROME - PALLADIO /PALLADIUM - OTTONE INGLESE/ ENGLISH BRASS - CORTEN - PVD

W W W . R E T I C U B E . I T

POMELLI - KNOBS

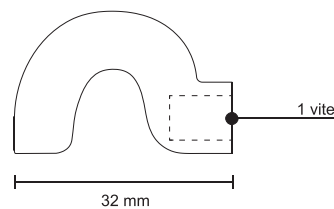
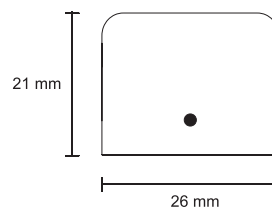
SCACCO

Q0144



SELENE

Q0218



MATERIALE/ MATERIAL

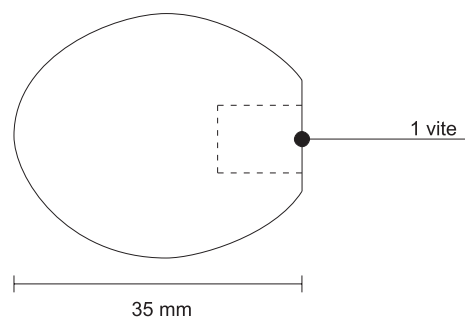
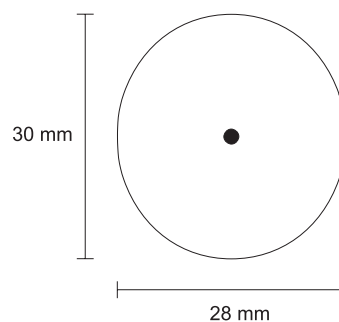
OTTONE/ SOLID BRASS

FINITURE /FINISHING

CROMO/ CHROME - PALLADIO /PALLADIUM - OTTONE INGLESE/ ENGLISH BRASS - CORTEN - PVD

SNAKE

Q0179



MATERIALE/ MATERIAL

OTTONE/ SOLID BRASS

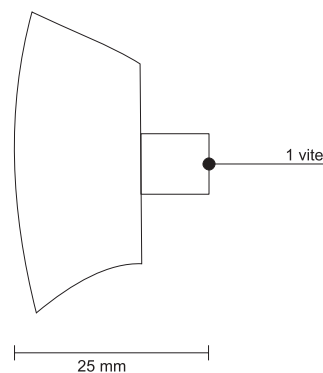
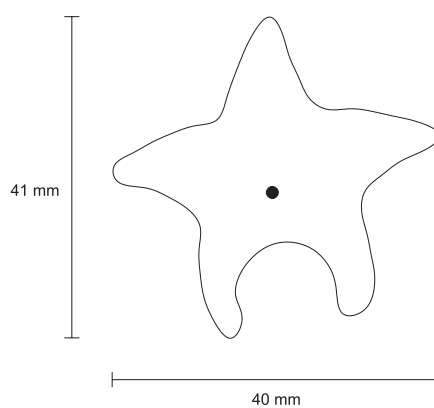
FINITURE /FINISHING

CROMO/ CHROME - PALLADIO /PALLADIUM - OTTONE INGLESE/ ENGLISH BRASS - CORTEN - PVD

STELLA MARINA

Reticube®
technology
WORLDWIDE PATENT

Q0181



MATERIALE/ MATERIAL

OTTONE/ SOLID BRASS

FINITURE /FINISHING

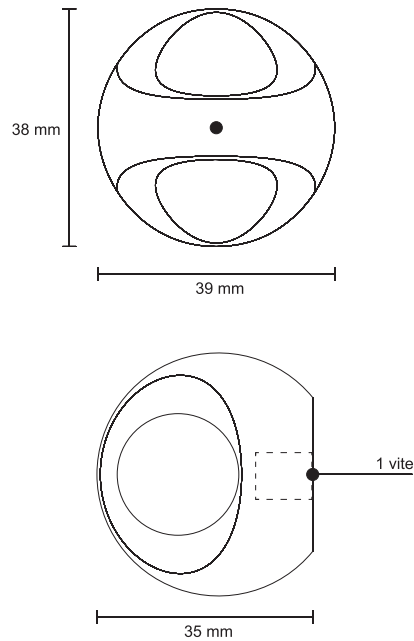
CROMO/ CHROME - PALLADIO /PALLADIUM - OTTONE INGLESE/ ENGLISH BRASS - BRUNITO SBIANCATO/POLISHED BLACK- CORTEN - PVD

WWW.RETICUBE.IT

POMELLI - KNOBS

STILE

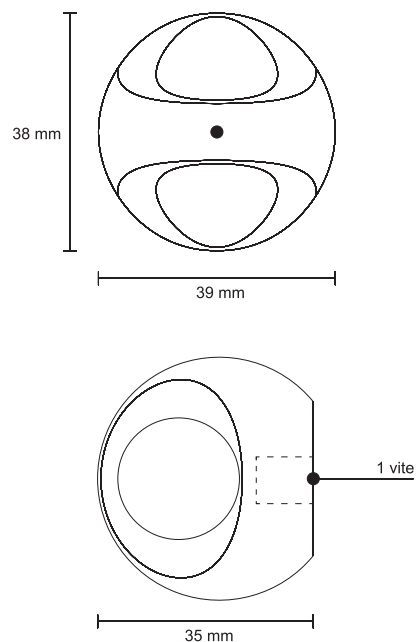
Q0078



STILE LUX

MADE WITH SWAROVSKI

Q0105



MATERIALE/ MATERIAL

OTTONE/ SOLID BRASS

FINITURE /FINISHING

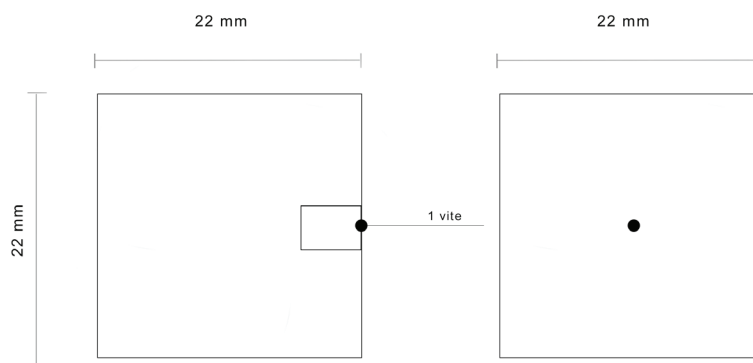
CROMO/ CHROME - PALLADIO /PALLADIUM - OTTONE INGLESE/ ENGLISH BRASS - CORTEN - PVD

WWW.RETICUBE.IT

MANIGLIE PER MOBILI - FORNITURE HANDLES

TEXAS

Q0367



MATERIALE/ MATERIAL

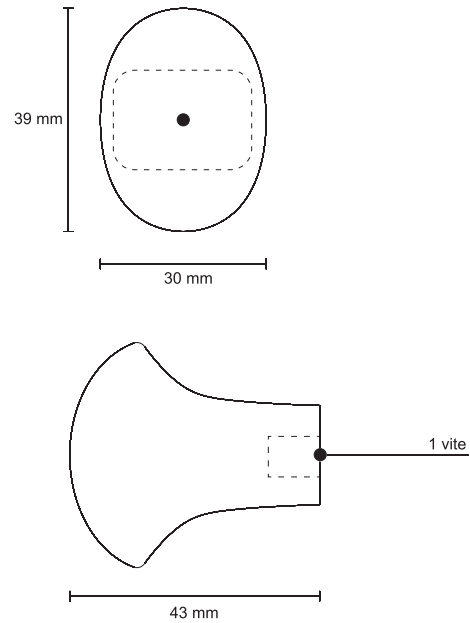
OTTONE/ SOLID BRASS

FINITURE /FINISHING

CROMO/ CHROME - PALLADIO /PALLADIUM - OTTONE INGLESE/ ENGLISH BRASS - BRUNITO SBIANCATO/POLISHED BLACK- CORTEN - PVD

TIVOLI

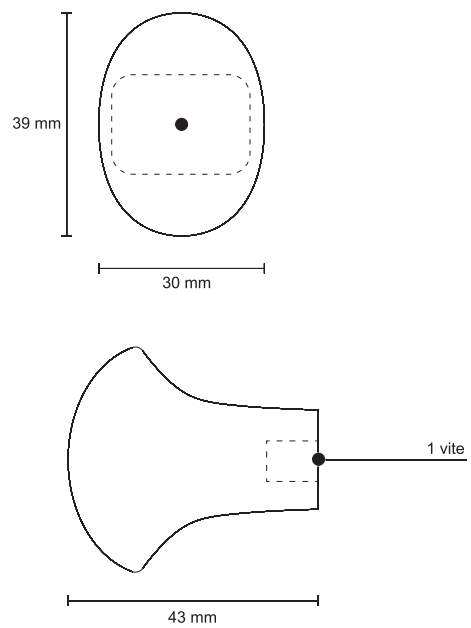
Q0077



TIVOLI LUX

MADE WITH SWAROVSKI

Q0107



MATERIAL / MATERIAL

OTTONE / SOLID BRASS

FINITURE / FINISHING

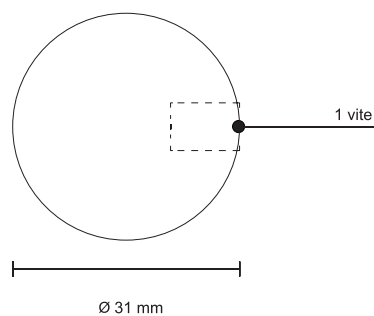
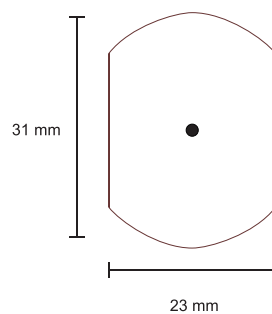
CROMO / CHROME - PALLADIO / PALLADIUM - OTTONE INGLESE / ENGLISH BRASS - CORTEN - PVD

WWW.RETICUBE.IT

MANIGLIE PER MOBILI - FORNITURE HANDLES

TRISTANO

Q0222



MATERIALE/ MATERIAL

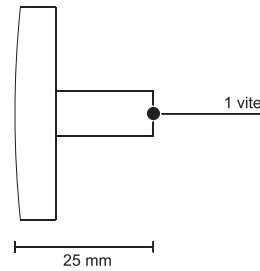
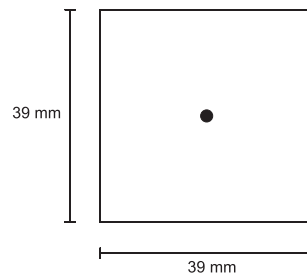
OTTONE/ SOLID BRASS

FINITURE /FINISHING

CROMO/ CHROME - PALLADIO /PALLADIUM - OTTONE INGLESE/ ENGLISH BRASS - BRUNITO SBIANCATO/POLISHED BLACK- CORTEN - PVD

VIVA

Q0146



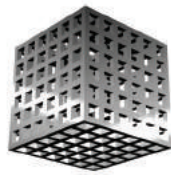
MATERIALE/ MATERIAL

OTTONE/ SOLID BRASS

FINITURE /FINISHING

CROMO/ CHROME - PALLADIO /PALLADIUM - OTTONE INGLESE/ ENGLISH BRASS - CORTEN - PVD

**CREATI CON TE...PER TE
CREATED WHIT YOU FOR YOU**



Reticube[®] technology

WORLDWIDE PATENT

DESIGN BY GUIMER SRL

VIA DELL'INDUSTRIA 8 A/B
40012 CALDERARA DI RENO (BOLOGNA) – ITALIA
TEL: +39 051 72 77 86 EMAIL: INFO@RETICUBE.IT