

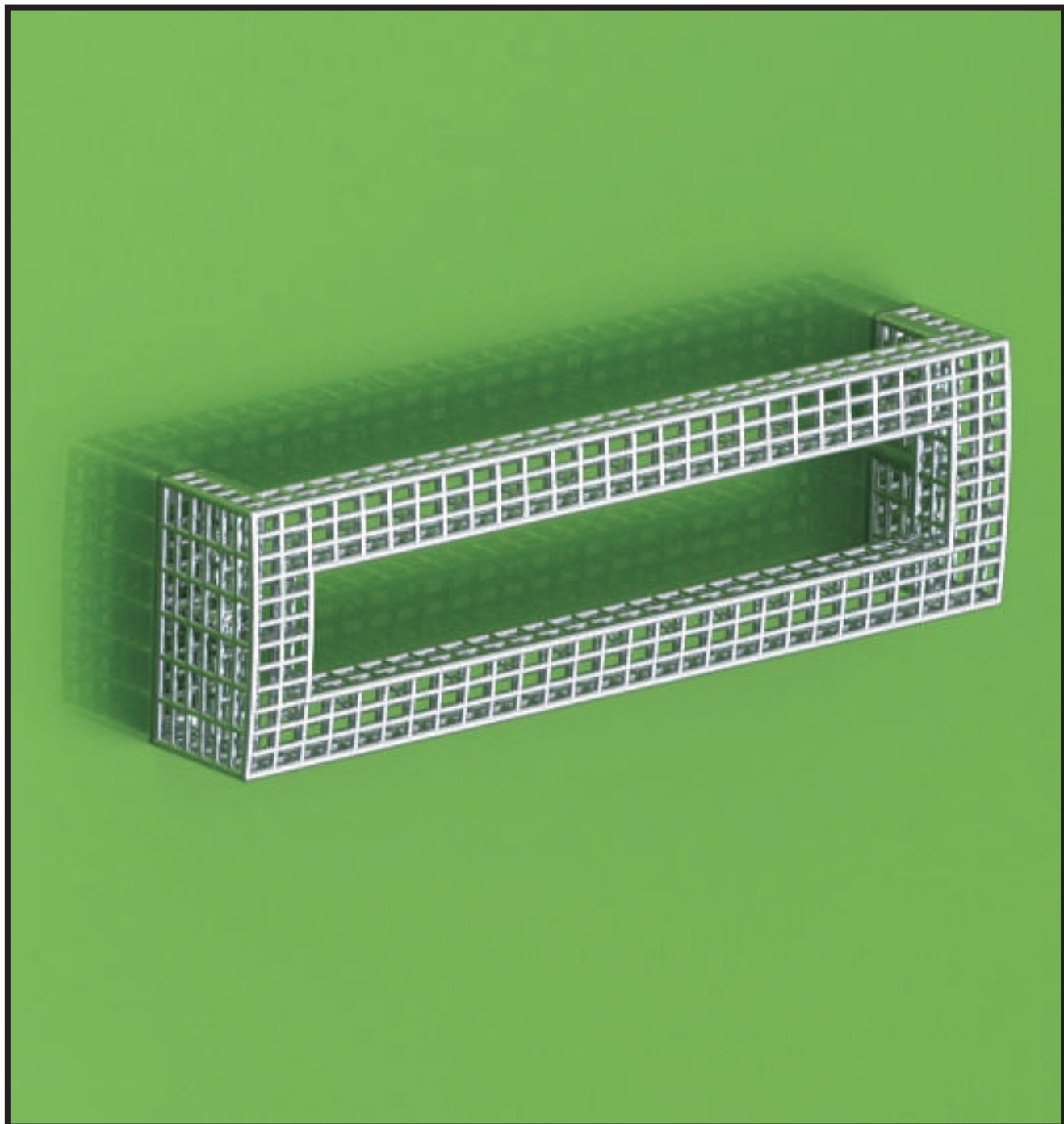
MANIGLIE PER MOBILI FURNITURE HANDLES

D
E
S
I
G
N

M
A
D
E

I
N

I
T
A
L
Y



Reticube[®]
technology

WORLDWIDE PATENT

TUTTO NASCE DA UN PROGETTO...

EVERYTHING COMES FROM A PROJECT...



MANIGLIE PER MOBILI 3D - 3D FORNITURE HANDLES



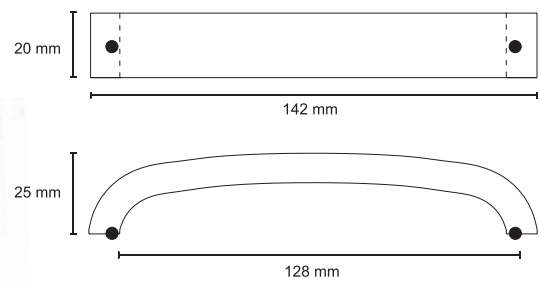
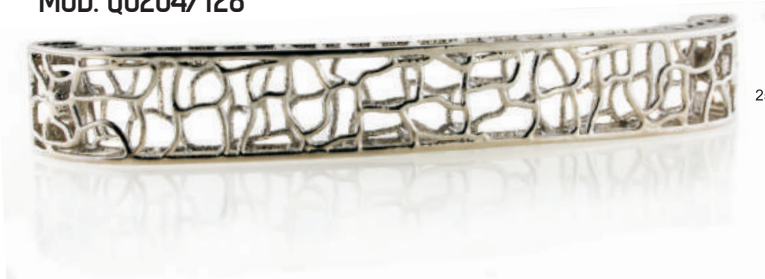
RETICUBE TECHNOLOGY

LA TECNOLOGIA RETICUBE PERMETTE DI OTTENERE MANIGLIE TRIDIMENSIONALI DI QUALSIASI FORMA E STRUTTURA: CON SOTTOSQUADRI, IN GABBIA VUOTA, ETC, DAI MODELLI PIÙ SEMPLICI A QUELLI PIÙ COMPLESSI E PARTICOLARI.

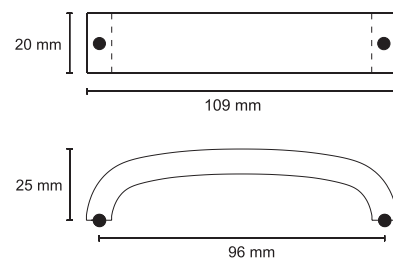
THIS TECHNOLOGY ALLOWS TO OBTAIN THREE-DIMENSIONAL HANDLES OF ANY TYPE OF SHAPE AND STRUCTURE: WITH UNDERCUTS, IN AN EMPTY CAGE, ETC., FROM THE SIMPLEST MODELS TO THE MOST COMPLEX AND PARTICULAR ONES.

AMELIE

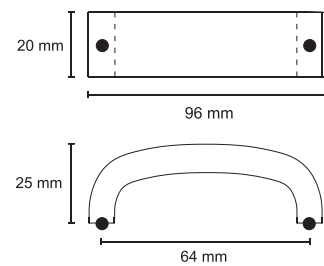
MOD. Q0204/128



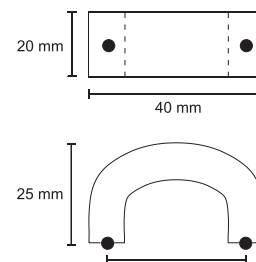
MOD. Q0204/96



MOD. Q0204/64



MOD. Q0204/32



FINITURE /FINISHING

CROMO/ CHROME

CORTEN

PALLADIO /PALLADIUM

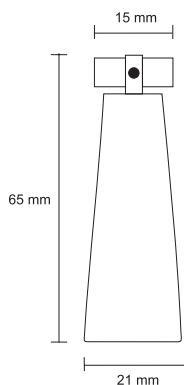
PVD

OTTONE INGLESE/ ENGLISH BRASS

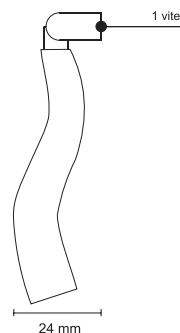
MATERIALE/ MATERIAL

OTTONE/ SOLID BRASS

APOLLO

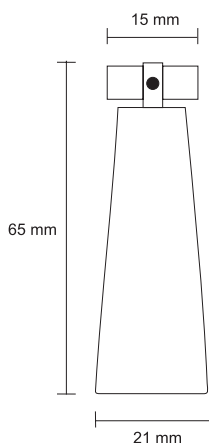
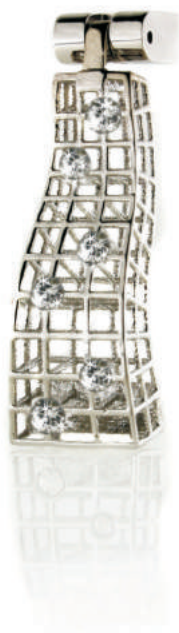


MOD. Q0199

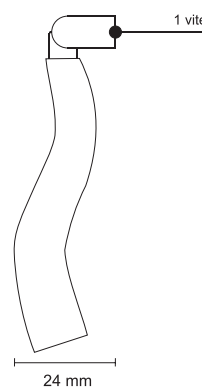


APOLLO LUX

MADE WITH SWAROVSKI ELEMENTS



MOD. Q0197



MANIGLIA A BATTENTE/ HINGED HANDLE

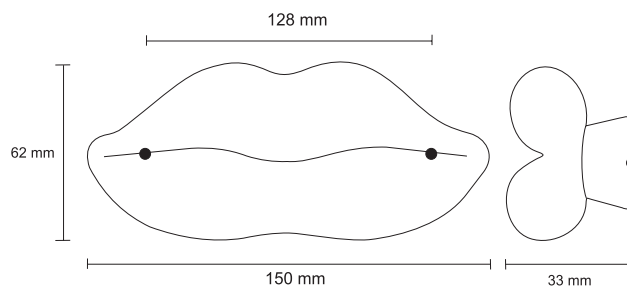
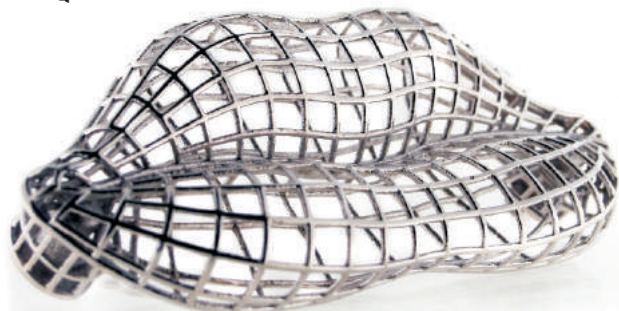
MATERIALE/ MATERIAL
OTTONE/ SOLID BRASS

FINITURE /FINISHING
CROMO/ CHROME - CORTEN - PALLADIO /PALLADIUM - PVD - OTTONE INGLESE/ ENGLISH BRASS

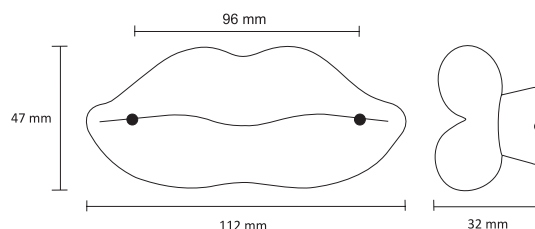
BACIO

Reticube®
technology
WORLDWIDE PATENT

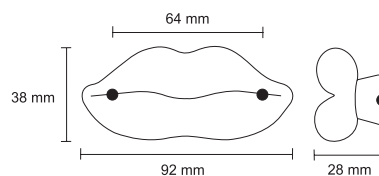
MOD. Q0074/128



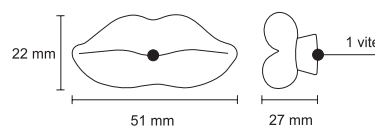
MOD. Q0074/96



MOD. Q0074/64



MOD. Q0074



FINITURE /FINISHING

CROMO/ CHROME

CORTEN

PALLADIO /PALLADIUM

PVD

OTTONE INGLESE/ ENGLISH BRASS

MATERIALE/ MATERIAL

OTTONE/ SOLID BRASS

WWW.RETICUBE.IT

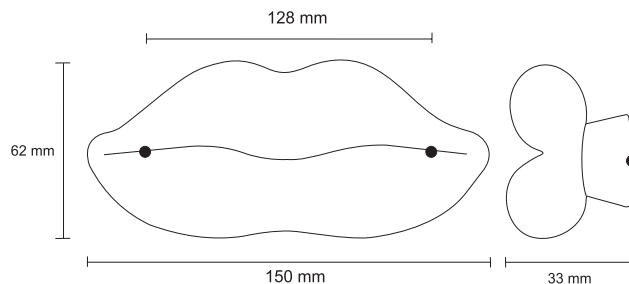
MANIGLIE PER MOBILI - FURNITURE HANDLES

BACIO LUX

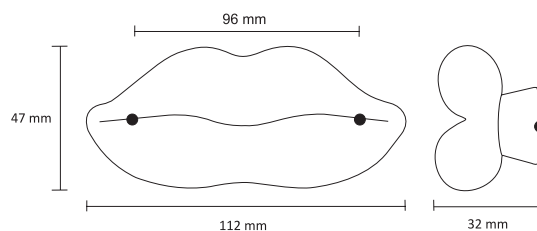
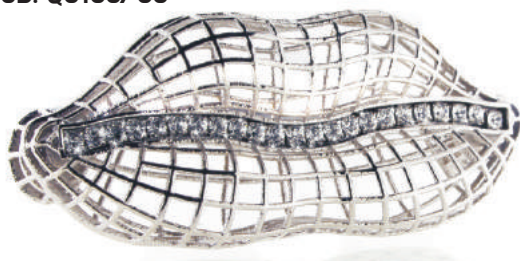
MADE WITH SWAROVSKI ELEMENTS

Reticube[®]
technology
WORLDWIDE PATENT

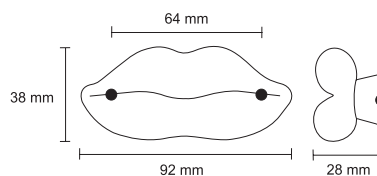
MOD. Q0100/128



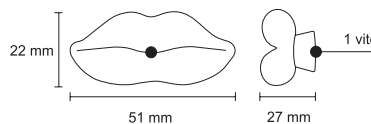
MOD. Q0100/96



MOD. Q0100/64



MOD. Q0100



FINITURE /FINISHING

CROMO/ CHROME

CORTEN

PALLADIO /PALLADIUM

PVD

OTTONE INGLESE/ ENGLISH BRASS

MATERIALE/ MATERIAL

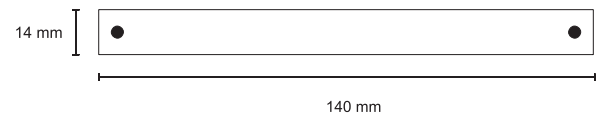
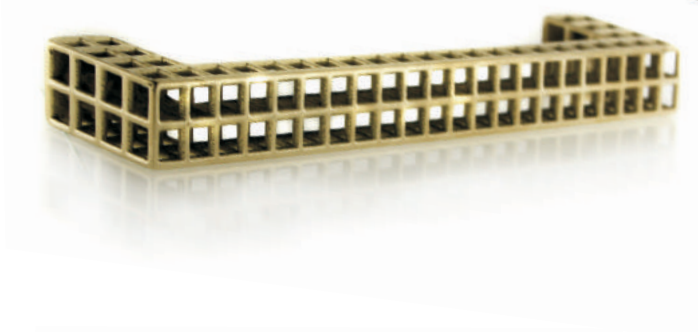
OTTONE/ SOLID BRASS

WWW.RETICUBE.IT

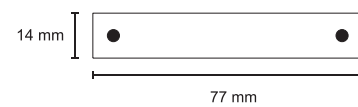
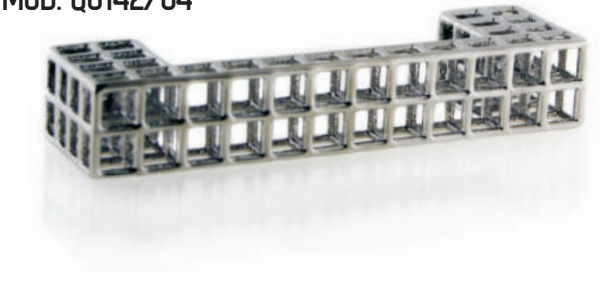
MANIGLIE PER MOBILI - FURNITURE HANDLES

BASE

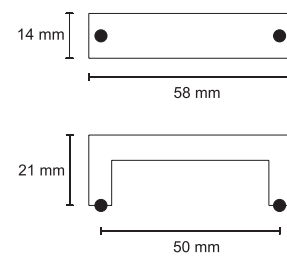
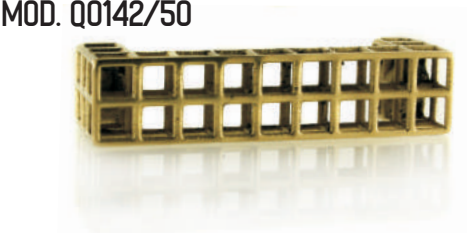
MOD. Q0142/128



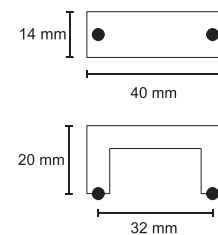
MOD. Q0142/64



MOD. Q0142/50



MOD. Q0142/32



FINITURE /FINISHING

CROMO/ CHROME

CORTEN

PALLADIO /PALLADIUM

PVD

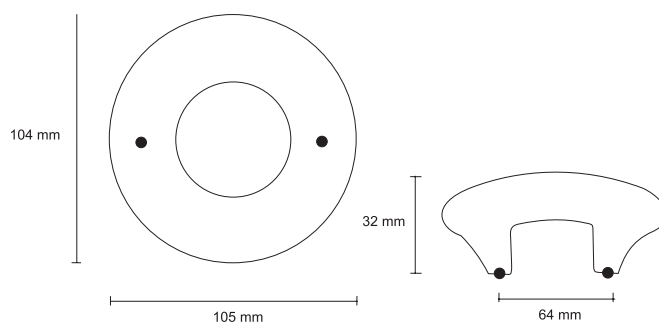
OTTONE INGLESE/ ENGLISH BRASS

MATERIALE/ MATERIAL

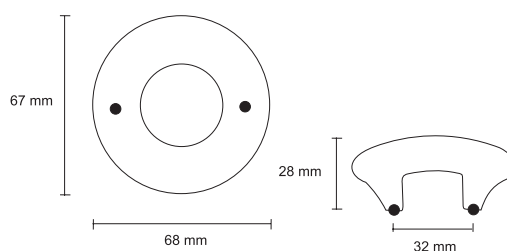
OTTONE/ SOLID BRASS

CIRCLE

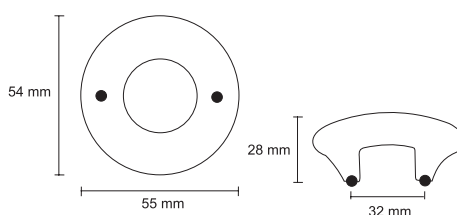
MOD. Q0069/64



MOD. Q0069/32 G



MOD. Q0069/32 P



FINITURE /FINISHING

CROMO/ CHROME

CORTEN

PALLADIO /PALLADIUM

PVD

OTTONE INGLESE/ ENGLISH BRASS

MATERIALE/ MATERIAL

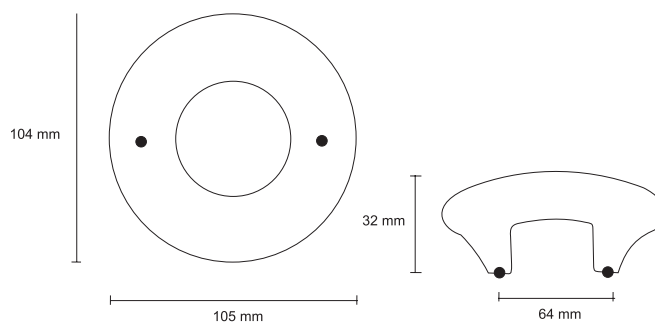
OTTONE/ SOLID BRASS

CIRCLE LUX

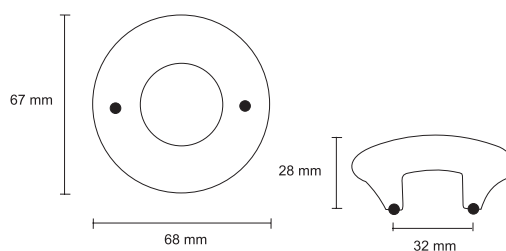
MADE WITH SWAROVSKI ELEMENTS

Reticube®
technology
WORLDWIDE PATENT

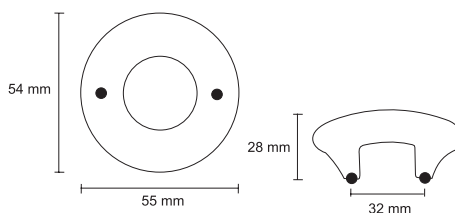
MOD. Q0103/64



MOD. Q0103/32 G



MOD. Q0103/32 P



FINITURE /FINISHING

CROMO/ CHROME

CORTEN

PALLADIO /PALLADIUM

PVD

OTTONE INGLESE/ ENGLISH BRASS

MATERIALE/ MATERIAL

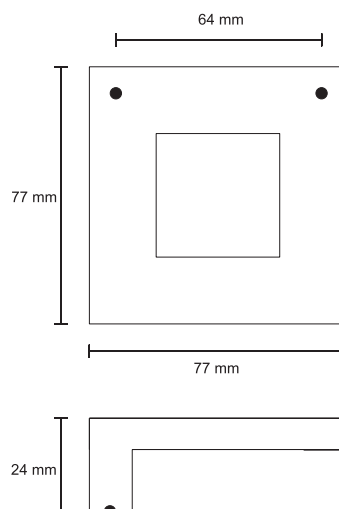
OTTONE/ SOLID BRASS

WWW.RETICUBE.IT

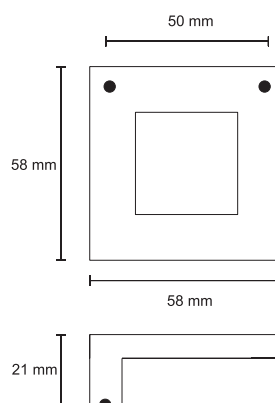
MANIGLIE PER MOBILI - FURNITURE HANDLES

CLASS

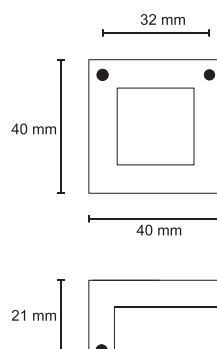
MOD. Q0087/64



MOD. Q0087/50



MOD. Q0087/32



FINITURE /FINISHING

CROMO/ CHROME
CORTEN
PALLADIO /PALLADIUM
PVD
OTTONE INGLESE/ ENGLISH BRASS

MATERIALE/ MATERIAL

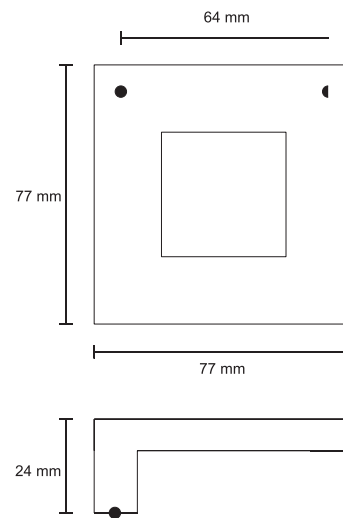
OTTONE/ SOLID BRASS

CLASS LUX

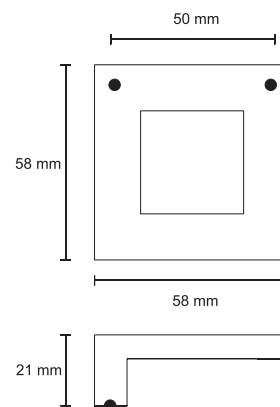
MADE WITH SWAROVSKI ELEMENTS

Reticube®
technology
WORLDWIDE PATENT

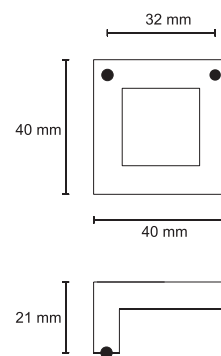
MOD. Q0102/64



MOD. Q0102/50



MOD. Q0102/32



FINITURE /FINISHING

CROMO/ CHROME

CORTEN

PALLADIO /PALLADIUM

PVD

OTTONE INGLESE/ ENGLISH BRASS

MATERIALE/ MATERIAL

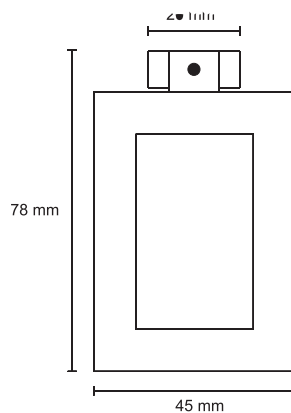
OTTONE/ SOLID BRASS

WWW.RETICUBE.IT

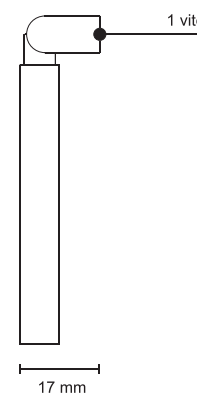
MANIGLIE PER MOBILI - FURNITURE HANDLES

CLIO

Reticube®
technology
WORLDWIDE PATENT



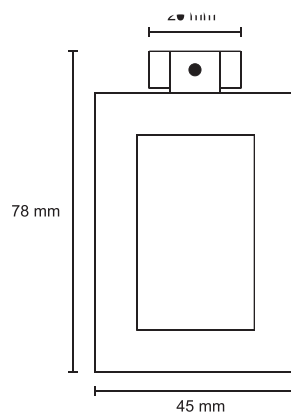
MOD. Q0201



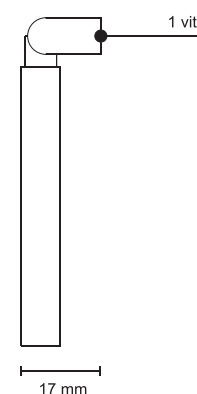
MANIGLIA A BATTENTE/ HINGED HANDLE

CLIO LUX

MADE WITH SWAROVSKI ELEMENTS



MOD. Q0202



MATERIALE/ MATERIAL

OTTONE/ SOLID BRASS

FINITURE /FINISHING

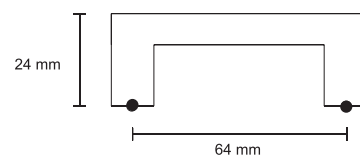
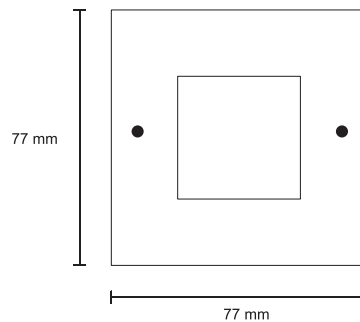
CROMO/ CHROME - CORTEN - PALLADIO /PALLADIUM - PVD - OTTONE INGLESE/ ENGLISH BRASS

WWW.RETICUBE.IT

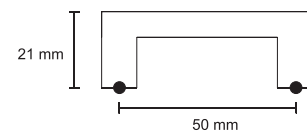
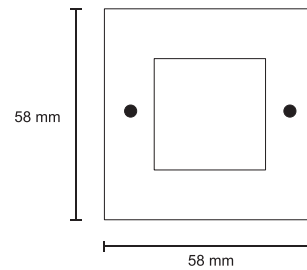
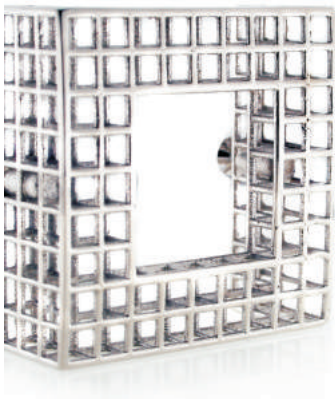
MANIGLIE PER MOBILI - FORNITURE HANDLES

CUBIC

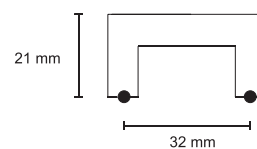
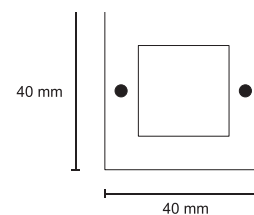
MOD. Q0054/64



MOD. Q054/50



MOD. Q0054/32



FINITURE /FINISHING

CROMO/ CHROME

CORTEN

PALLADIO /PALLADIUM

PVD

OTTONE INGLESE/ ENGLISH BRASS

MATERIALE/ MATERIAL

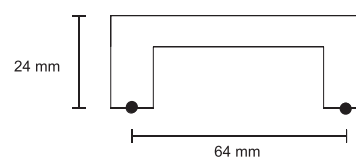
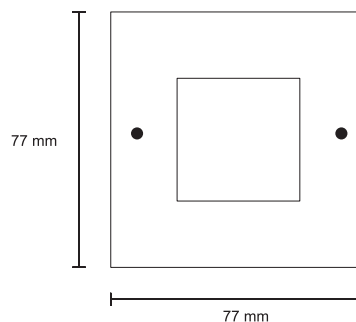
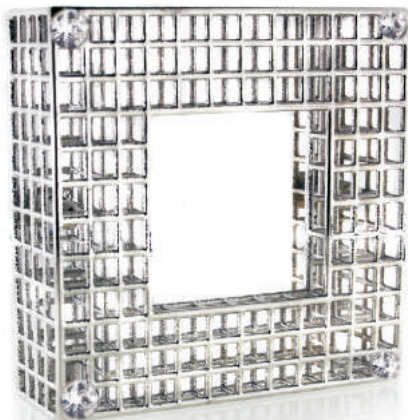
OTTONE/ SOLID BRASS

CUBUC LUX

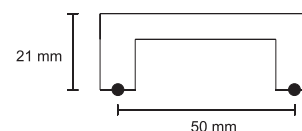
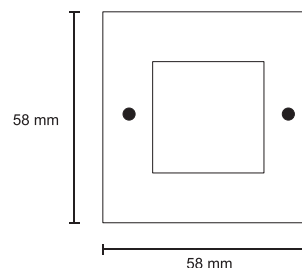
MADE WITH SWAROVSKI ELEMENTS

Reticube[®]
technology
WORLDWIDE PATENT

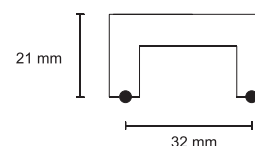
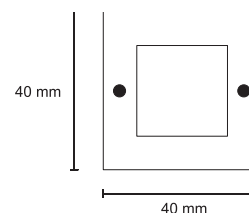
MOD. Q0101/64



MOD. Q0101/50



MOD. Q0101/32



FINITURE /FINISHING

CROMO/ CHROME

CORTEN

PALLADIO /PALLADIUM

PVD

OTTONE INGLESE/ ENGLISH BRASS

MATERIALE/ MATERIAL

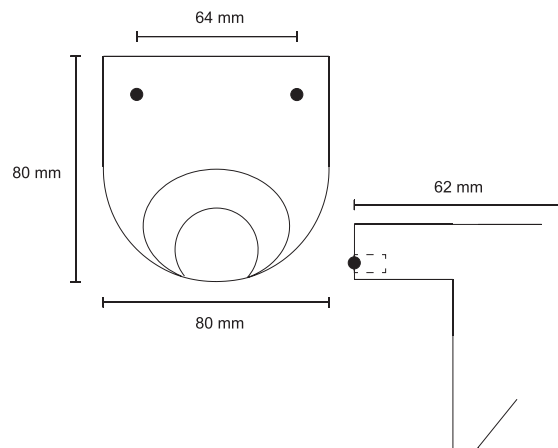
OTTONE/ SOLID BRASS

WWW.RETICUBE.IT

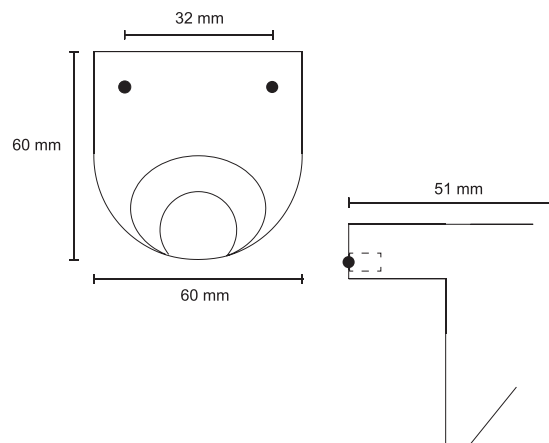
MANIGLIE PER MOBILI - FURNITURE HANDLES

DANZA

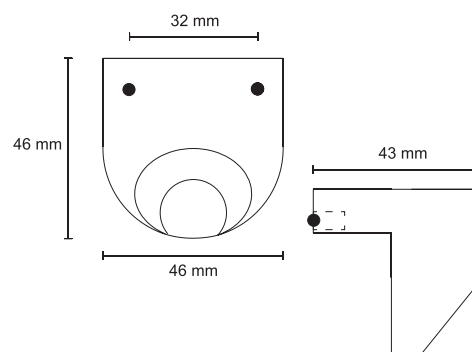
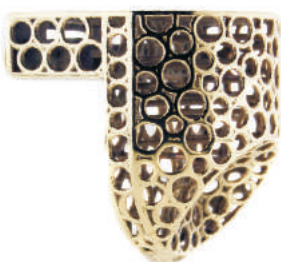
MOD. Q0084/64



MOD. Q0084/32 G



MOD. Q0084/32 P



FINITURE /FINISHING

CROMO/ CHROME

CORTEN

PALLADIO /PALLADIUM

PVD

OTTONE INGLESE/ ENGLISH BRASS

MATERIALE/ MATERIAL

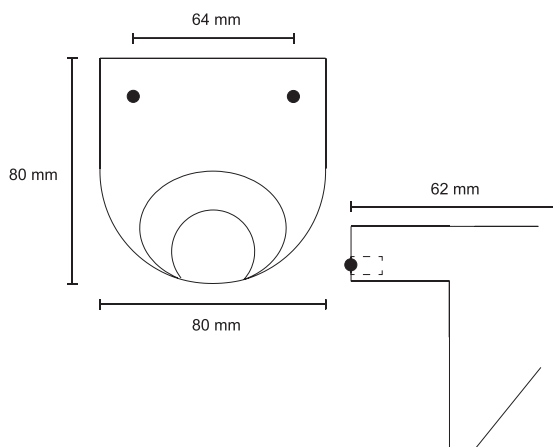
OTTONE/ SOLID BRASS

DANZA LUX

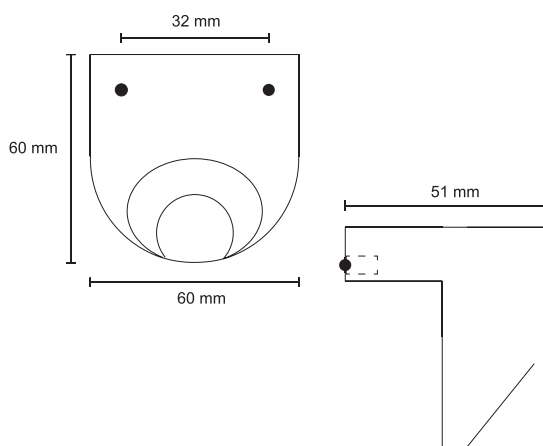
MADE WITH SWAROVSKI ELEMENTS

Reticube®
technology
WORLDWIDE PATENT

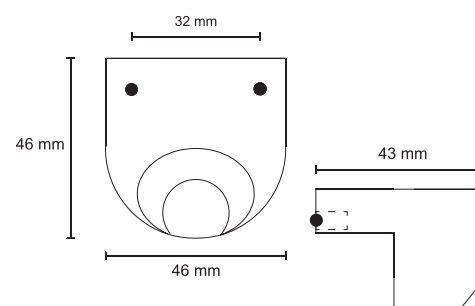
MOD. Q0113/64



MOD. Q0113/32 G



MOD. Q0113/32 P



FINITURE /FINISHING

CROMO/ CHROME

CORTEN

PALLADIO /PALLADIUM

PVD

OTTONE INGLESE/ ENGLISH BRASS

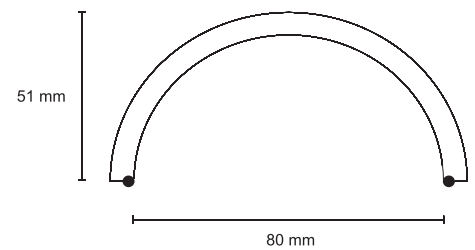
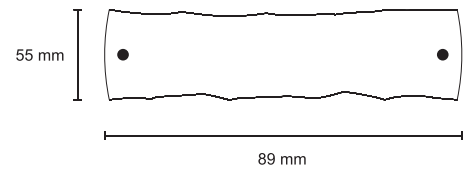
MATERIALE/ MATERIAL

OTTONE/ SOLID BRASS

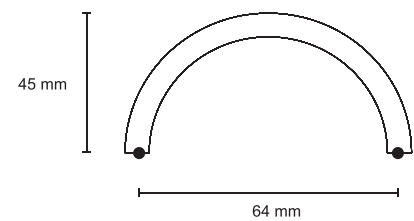
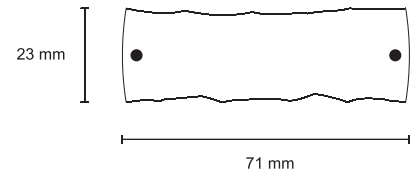
WWW.RETICUBE.IT

MANIGLIE PER MOBILI - FURNITURE HANDLES

MOD. Q0207/80



MOD. Q0207/64



FINITURE /FINISHING

CROMO/ CHROME

CORTEN

PALLADIO /PALLADIUM

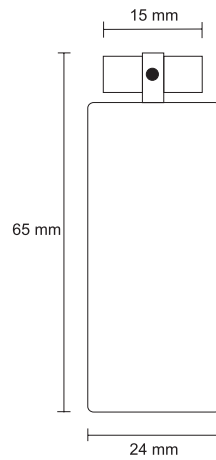
PVD

OTTONE INGLESE/ ENGLISH BRASS

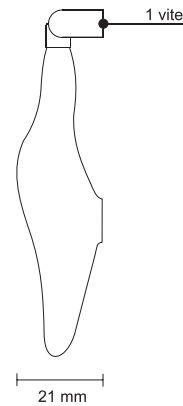
MATERIALE/ MATERIAL

OTTONE/ SOLID BRASS

DOROTEA



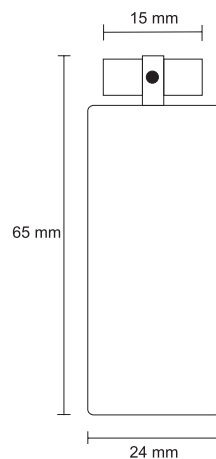
MOD. Q0200



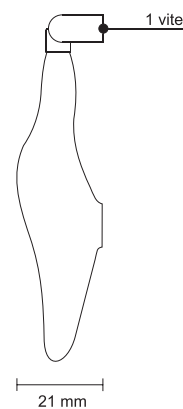
DOROTEA LUX

MADE WITH SWAROVSKI ELEMENTS

MANIGLIA A BATTENTE/ HINGED HANDLE



MOD. Q0199



MATERIALE/ MATERIAL

OTTONE/ SOLID BRASS

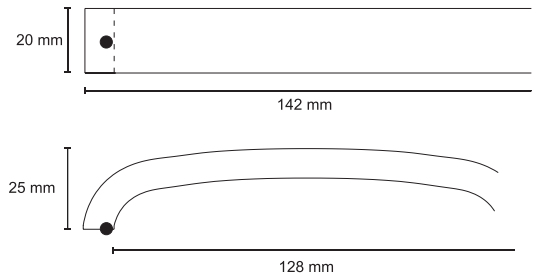
FINITURE /FINISHING

CROMO/ CHROME - CORTEN - PALLADIO /PALLADIUM - PVD - OTTONE INGLESE/ ENGLISH BRASS

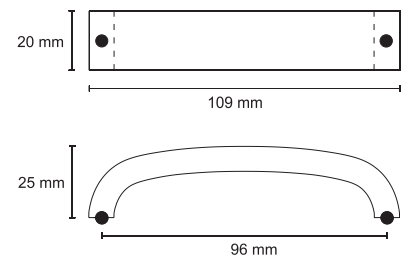
FEDRA

Reticube®
technology
WORLDWIDE PATENT

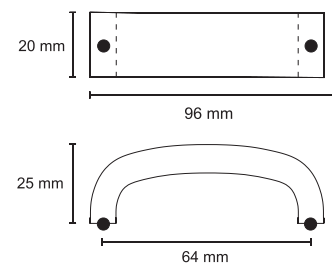
MOD. Q0203/128



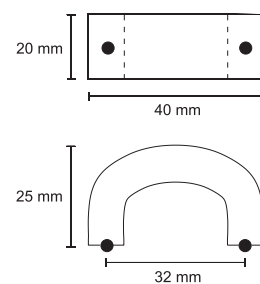
MOD. Q0203/96



MOD. Q0203/64



MOD. Q0203/32



FINITURE /FINISHING

CROMO/ CHROME

CORTEN

PALLADIO /PALLADIUM

PVD

OTTONE INGLESE/ ENGLISH BRASS

MATERIALE/ MATERIAL

OTTONE/ SOLID BRASS

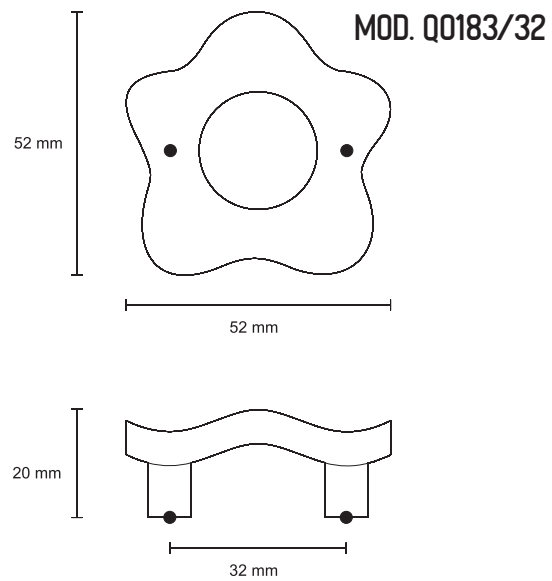
WWW.RETICUBE.IT

MANIGLIE PER MOBILI - FURNITURE HANDLES

FIORE

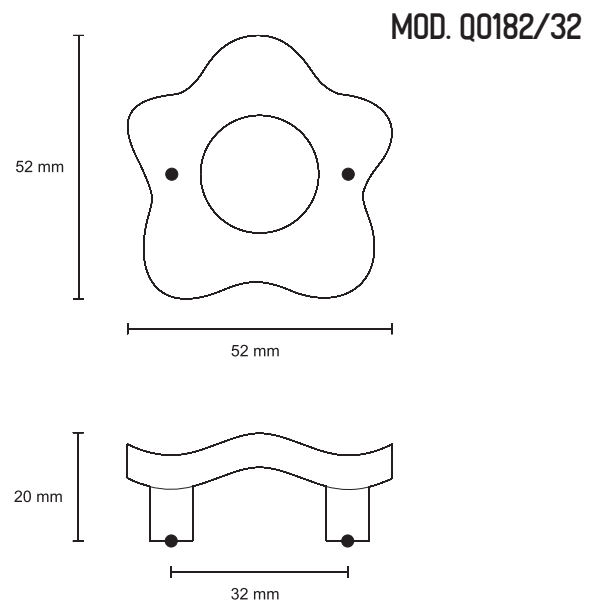


Materiale : Ottone
Material: Brass



FIORE LUX

MADE WITH SWAROVSKI ELEMENTS



MATERIALE/ MATERIAL

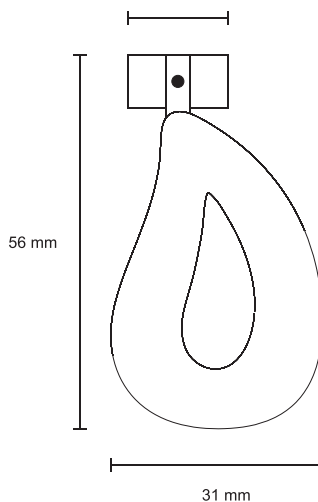
OTTONE/ SOLID BRASS

FINITURE /FINISHING

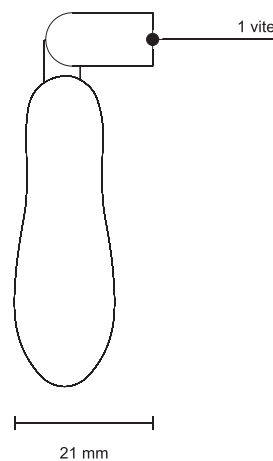
CROMO/ CHROME - CORTEN - PALLADIO /PALLADIUM - PVD - OTTONE INGLESE/ ENGLISH BRASS

WWW.RETICUBE.IT

MANIGLIE PER MOBILI - FORNITURE HANDLES



MOD. Q0196



FINITURE /FINISHING

CROMO/ CHROME

CORTEN

PALLADIO /PALLADIUM

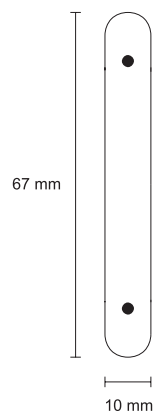
PVD

OTTONE INGLESE/ ENGLISH BRASS

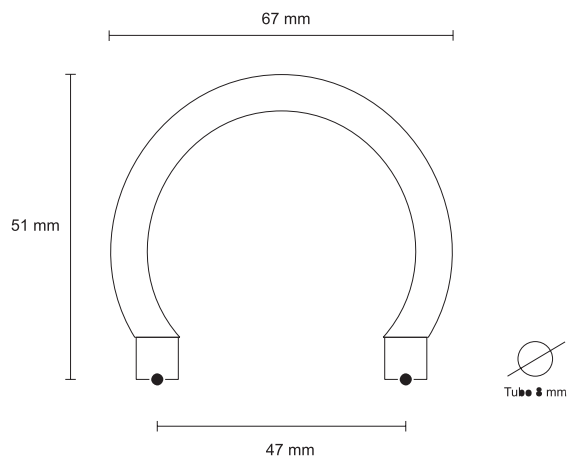
MATERIALE/ MATERIAL

OTTONE/ SOLID BRASS

IBIZA



MOD. Q0205/47



FINITURE /FINISHING

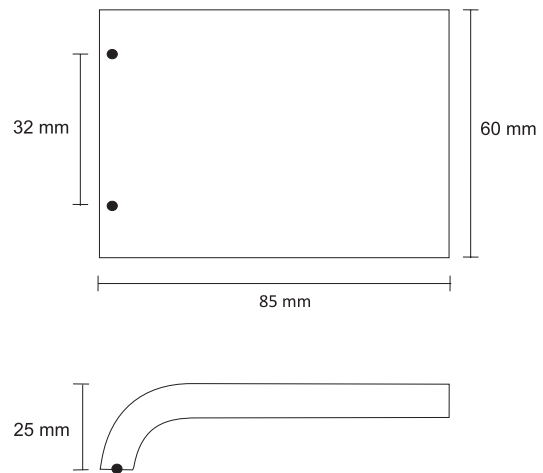
CROMO/ CHROME
CORTEN
PALLADIO /PALLADIUM
PVD
OTTONE INGLESE/ ENGLISH BRASS

MATERIALE/ MATERIAL

OTTONE/ SOLID BRASS

LUCE

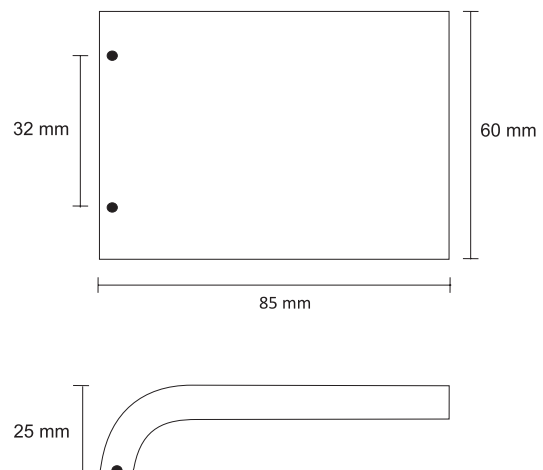
MOD. Q0088/32



LUCE LUX

MADE WITH SWAROVSKI ELEMENTS

MOD. Q0099/32



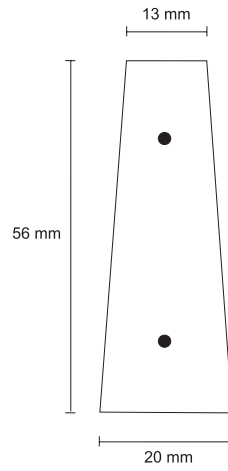
MATERIALE/ MATERIAL

OTTONE/ SOLID BRASS

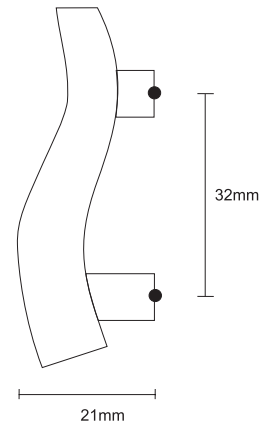
FINITURE /FINISHING

CROMO/ CHROME - CORTEN - PALLADIO /PALLADIUM - PVD - OTTONE INGLESE/ ENGLISH BRASS

MARGOT

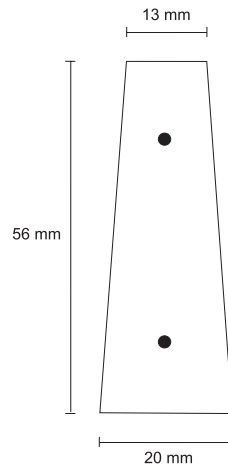


MOD. Q0176/32

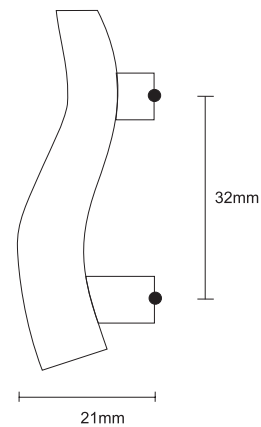


MARGOT LUX

MADE WITH SWAROVSKI ELEMENTS



MOD. Q0177/32



MATERIALE/ MATERIAL

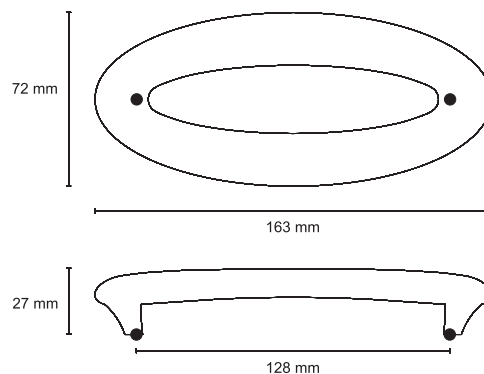
OTTONE/ SOLID BRASS

FINITURE /FINISHING

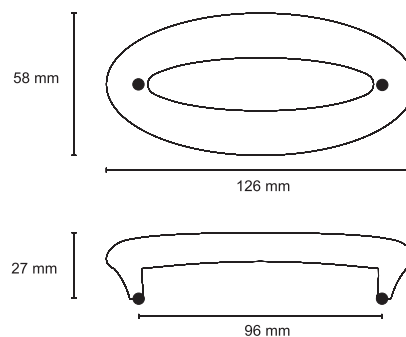
CROMO/ CHROME - CORTEN - PALLADIO /PALLADIUM - PVD - OTTONE INGLESE/ ENGLISH BRASS

MAX

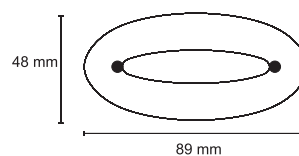
MOD. Q0056/128



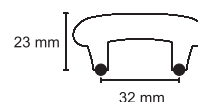
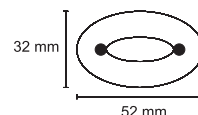
MOD. Q0056/96



MOD. Q0056/64



MOD. Q0056/32



FINITURE /FINISHING

CROMO/ CHROME

CORTEN

PALLADIO /PALLADIUM

PVD

OTTONE INGLESE/ ENGLISH BRASS

MATERIALE/ MATERIAL

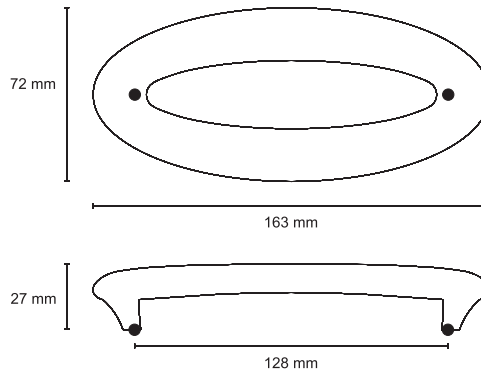
OTTONE/ SOLID BRASS

MAX LUX

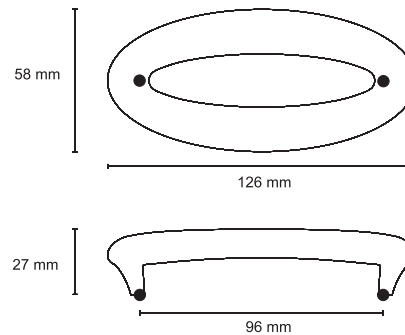
MADE WITH SWAROVSKI ELEMENTS

Reticube[®]
technology
WORLDWIDE PATENT

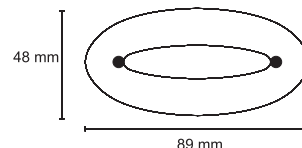
MOD. Q0097/128



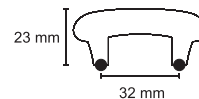
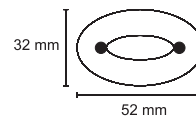
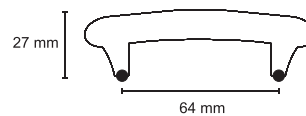
MOD. Q0097/96



MOD. Q0097/64



MOD. Q0097/32



FINITURE /FINISHING

CROMO/ CHROME

CORTEN

PALLADIO /PALLADIUM

PVD

OTTONE INGLESE/ ENGLISH BRASS

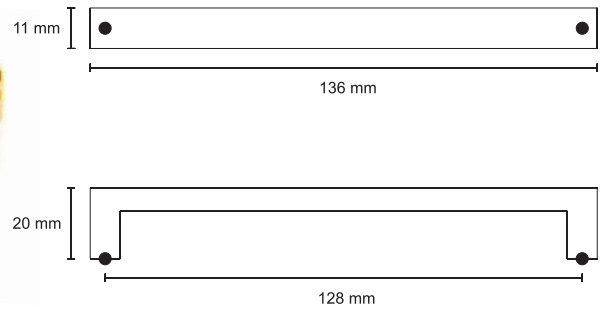
MATERIALE/ MATERIAL

OTTONE/ SOLID BRASS

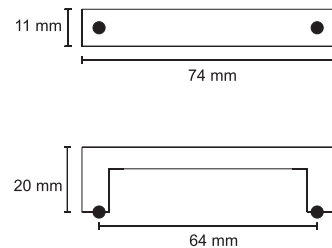
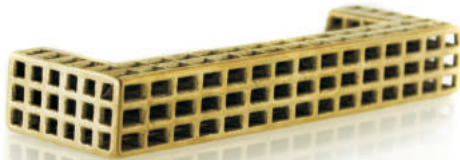
WWW.RETICUBE.IT

MANIGLIE PER MOBILI - FURNITURE HANDLES

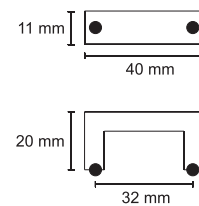
MOD. Q0145/128



MOD. Q0145/64



MOD. Q0145/32



FINITURE /FINISHING

CROMO/ CHROME

CORTEN

PALLADIO /PALLADIUM

PVD

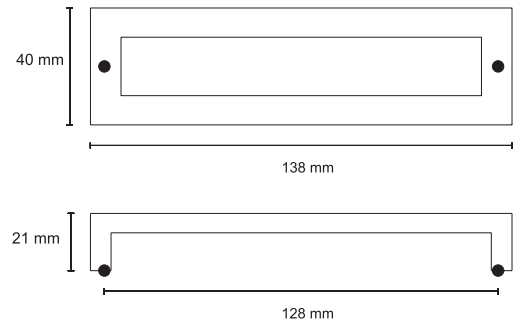
OTTONE INGLESE/ ENGLISH BRASS

MATERIALE/ MATERIAL

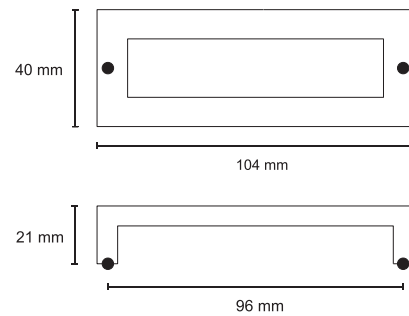
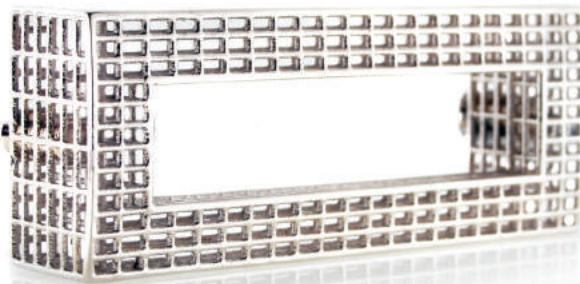
OTTONE/ SOLID BRASS

NET

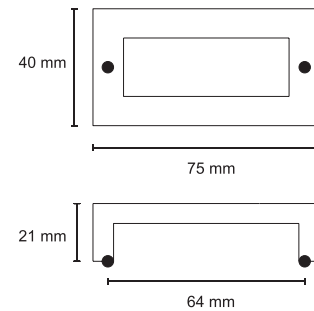
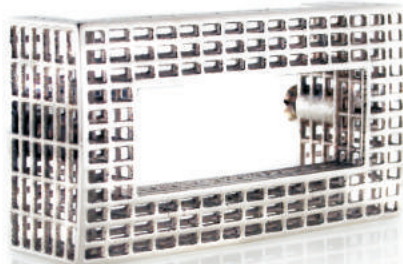
MOD. Q0068/128



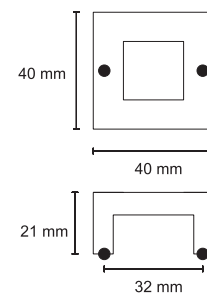
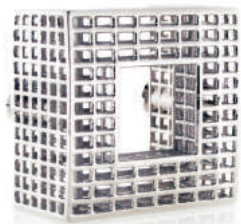
MOD. Q0068/96



MOD. Q0068/64



MOD. Q0068/32



FINITURE /FINISHING

CROMO/ CHROME

CORTEN

PALLADIO /PALLADIUM

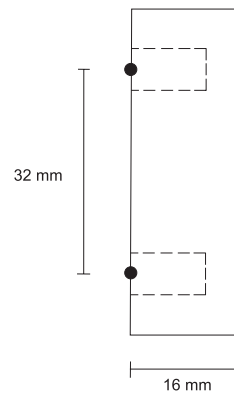
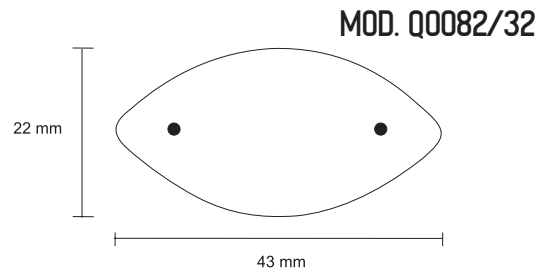
PVD

OTTONE INGLESE/ ENGLISH BRASS

MATERIALE/ MATERIAL

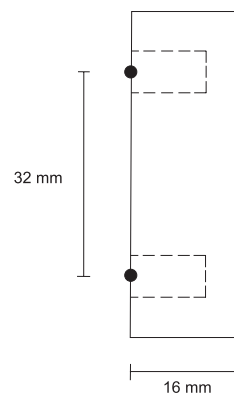
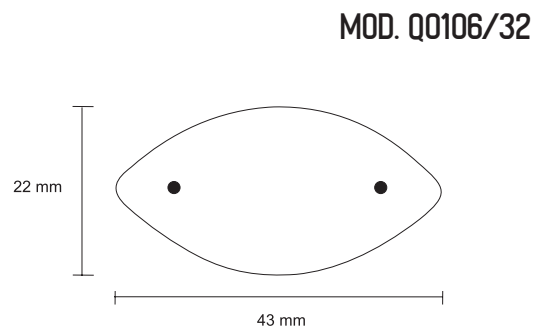
OTTONE/ SOLID BRASS

PETAL



PETAL LUX

MADE WITH SWAROVSKI ELEMENTS



MATERIALE/ MATERIAL

OTTONE/ SOLID BRASS

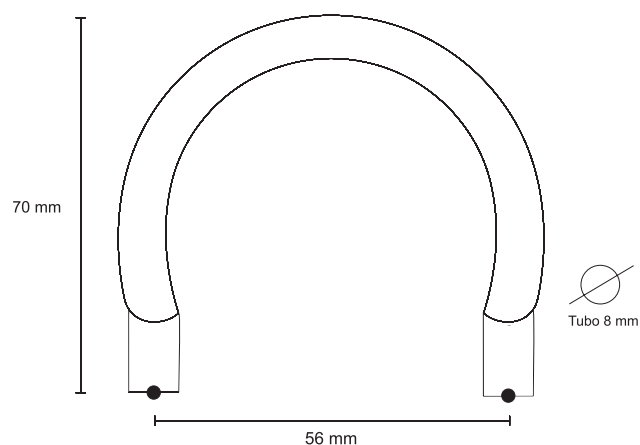
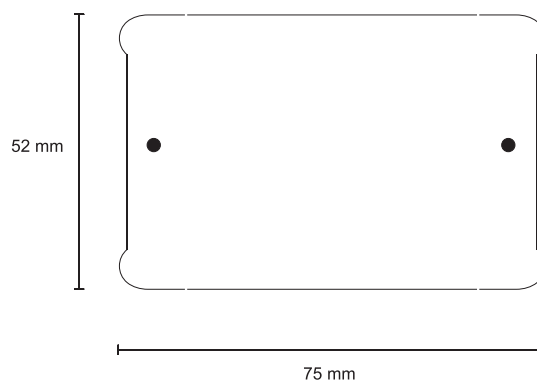
FINITURE /FINISHING

CROMO/ CHROME - CORTEN - PALLADIO /PALLADIUM - PVD - OTTONE INGLESE/ ENGLISH BRASS

PINK

Reticube[®]
technology
WORLDWIDE PATENT

MOD. Q0128/56



FINITURE /FINISHING

CROMO/ CHROME

CORTEN

PALLADIO /PALLADIUM

PVD

OTTONE INGLESE/ ENGLISH BRASS

MATERIALE/ MATERIAL

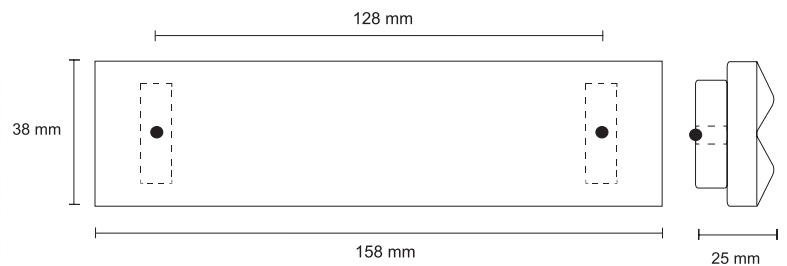
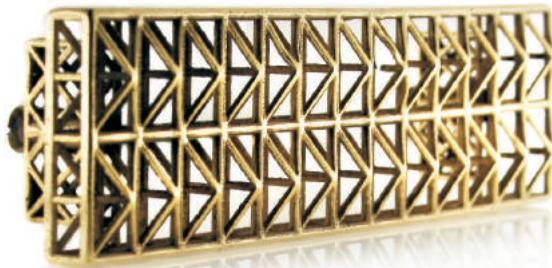
OTTONE/ SOLID BRASS

WWW.RETICUBE.IT

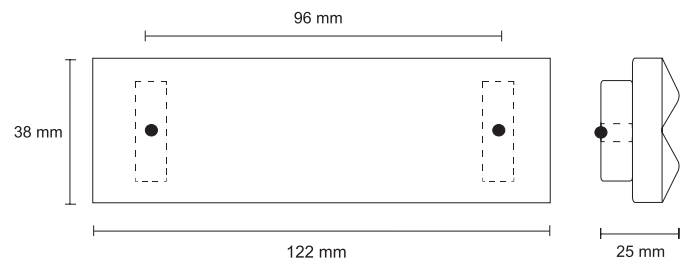
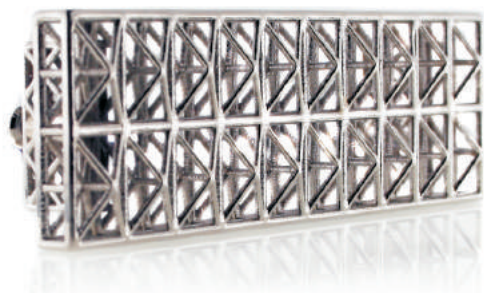
MANIGLIE PER MOBILI - FURNITURE HANDLES

PIRAMIDE

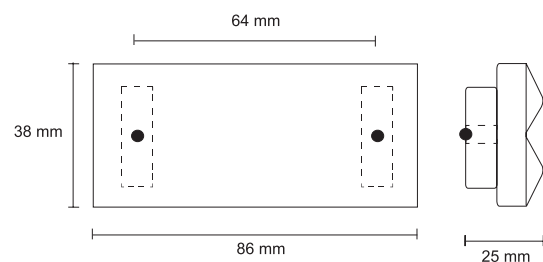
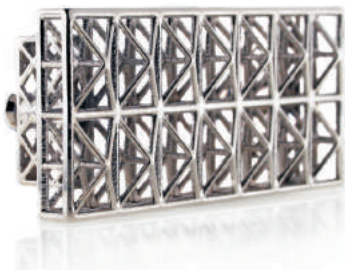
MOD. Q0070/128



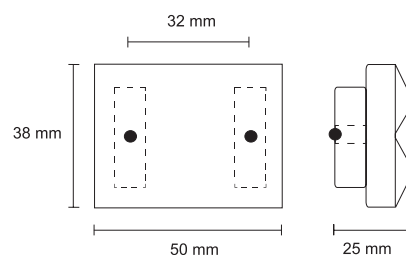
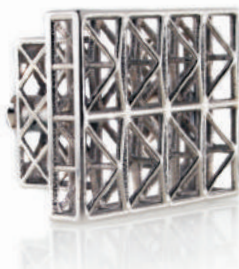
MOD. Q0070/96



MOD. Q0070/64



MOD. Q0070/32



FINITURE /FINISHING

CROMO/ CHROME

CORTEN

PALLADIO /PALLADIUM

PVD

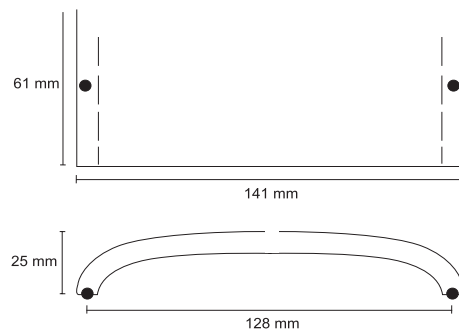
OTTONE INGLESE/ ENGLISH BRASS

MATERIALE/ MATERIAL

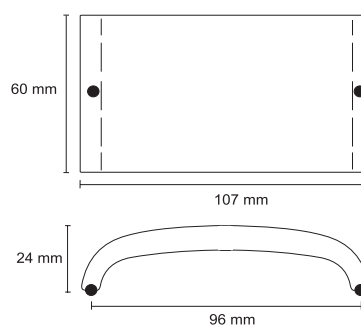
OTTONE/ SOLID BRASS

PUZZLE

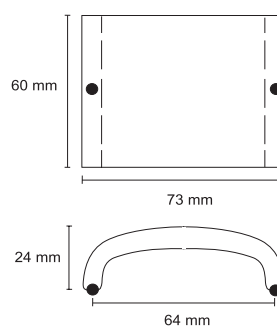
MOD. Q0055/128



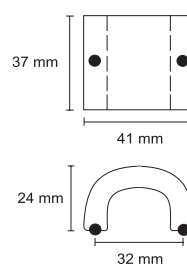
MOD. Q0055/96



MOD. Q0055/64



MOD. Q0055/32



FINITURE /FINISHING

CROMO/ CHROME

CORTEN

PALLADIO /PALLADIUM

PVD

OTTONE INGLESE/ ENGLISH BRASS

MATERIALE/ MATERIAL

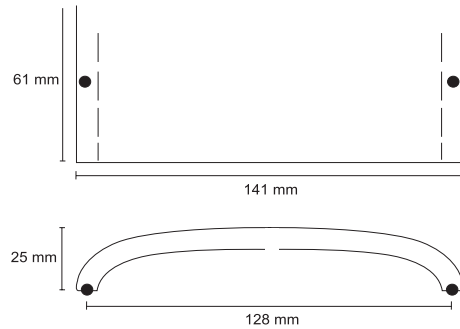
OTTONE/ SOLID BRASS

PUZZLE LUX

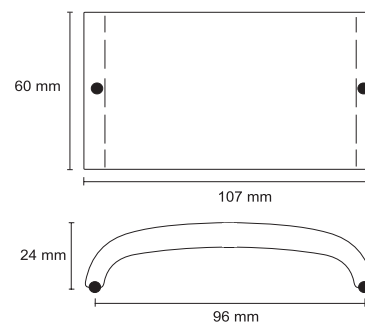
MADE WITH SWAROVSKI ELEMENTS

Reticube®
technology
WORLDWIDE PATENT

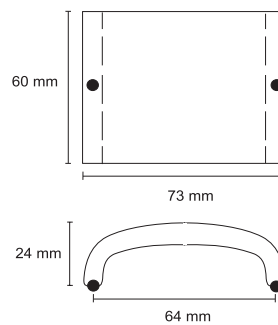
MOD. Q0098/128



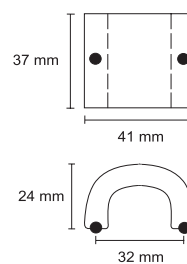
MOD. Q0098/96



MOD. Q0098/64



MOD. Q0098/32



FINITURE /FINISHING

CROMO/ CHROME

CORTEN

PALLADIO /PALLADIUM

PVD

OTTONE INGLESE/ ENGLISH BRASS

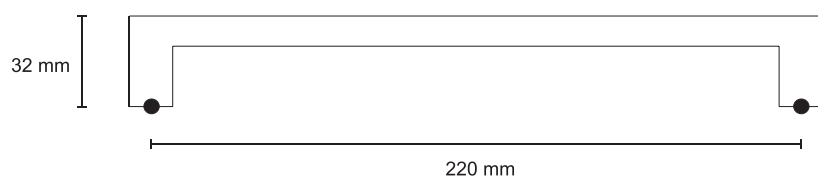
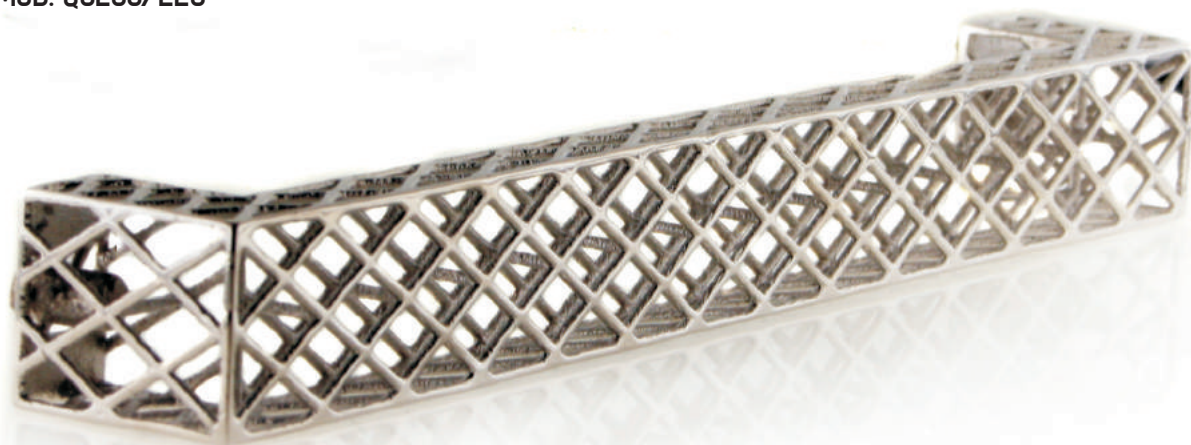
MATERIALE/ MATERIAL

OTTONE/ SOLID BRASS

WWW.RETICUBE.IT

MANIGLIE PER MOBILI - FURNITURE HANDLES

MOD. Q0206/220



FINITURE /FINISHING

CROMO/ CHROME

CORTEN

PALLADIO /PALLADIUM

PVD

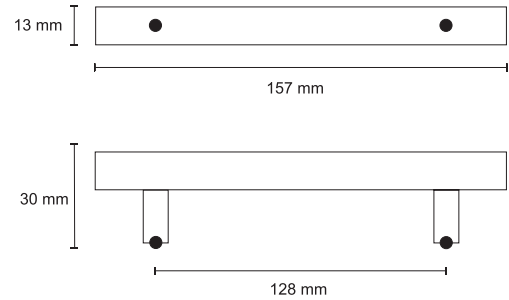
OTTONE INGLESE/ ENGLISH BRASS

MATERIALE/ MATERIAL

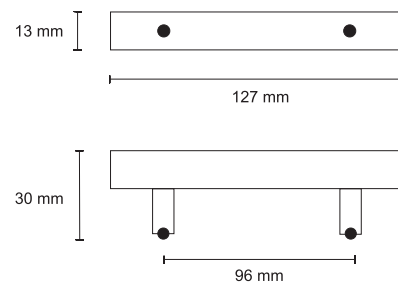
OTTONE/ SOLID BRASS

ROMBO

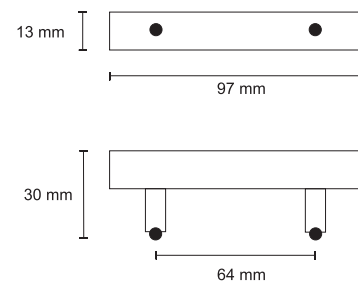
MOD. Q0148/128



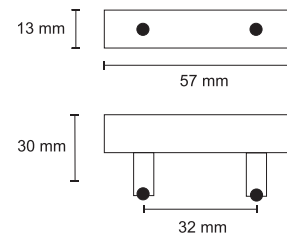
MOD. Q0148/96



MOD. Q0148/64



MOD. Q0148/32



FINITURE /FINISHING

CROMO/ CHROME

CORTEN

PALLADIO /PALLADIUM

PVD

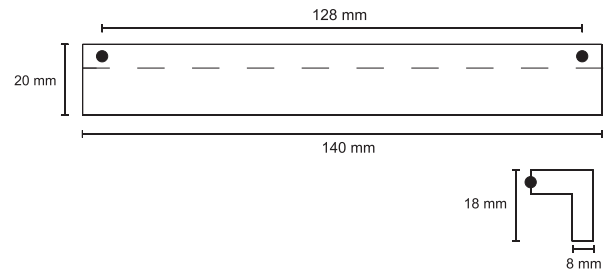
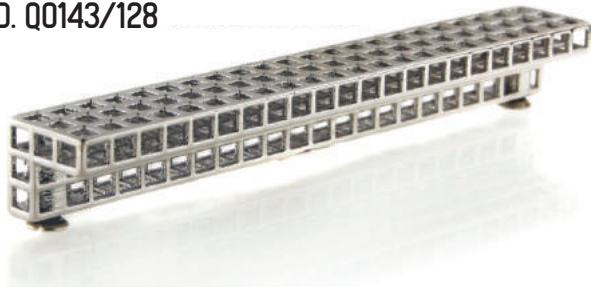
OTTONE INGLESE/ ENGLISH BRASS

MATERIALE/ MATERIAL

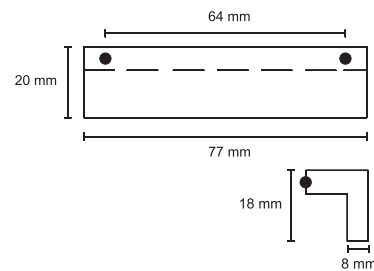
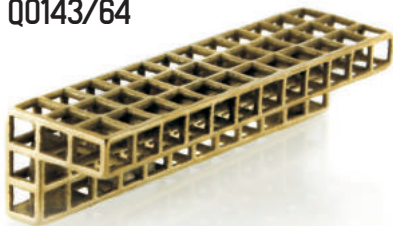
OTTONE/ SOLID BRASS

SHOW

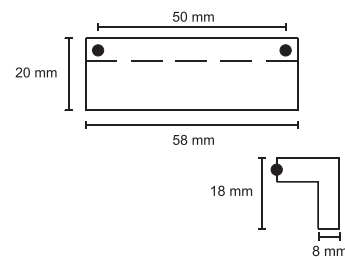
MOD. Q0143/128



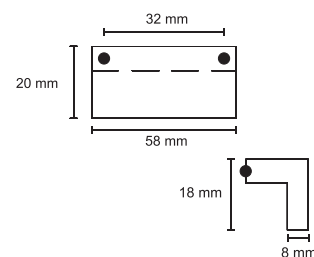
MOD. Q0143/64



MOD. Q0143/50



MOD. Q0143/32



FINITURE /FINISHING

CROMO/ CHROME

CORTEN

PALLADIO /PALLADIUM

PVD

OTTONE INGLESE/ ENGLISH BRASS

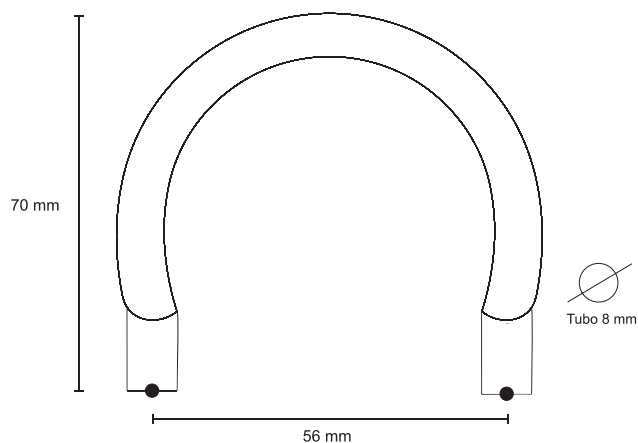
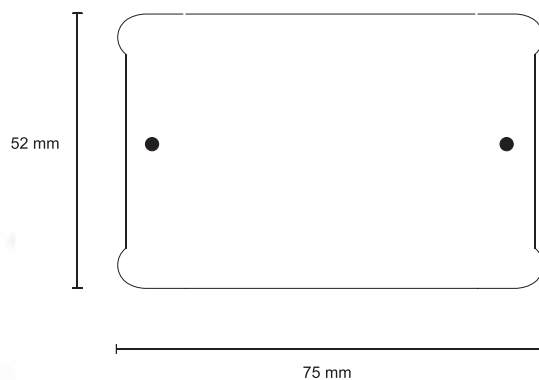
MATERIALE/ MATERIAL

OTTONE/ SOLID BRASS

STAR

Reticube®
technology
WORLDWIDE PATENT

MOD. Q0129/56



FINITURE /FINISHING

CROMO/ CHROME

CORTEN

PALLADIO /PALLADIUM

PVD

OTTONE INGLESE/ ENGLISH BRASS

MATERIALE/ MATERIAL

OTTONE/ SOLID BRASS

WWW.RETICUBE.IT

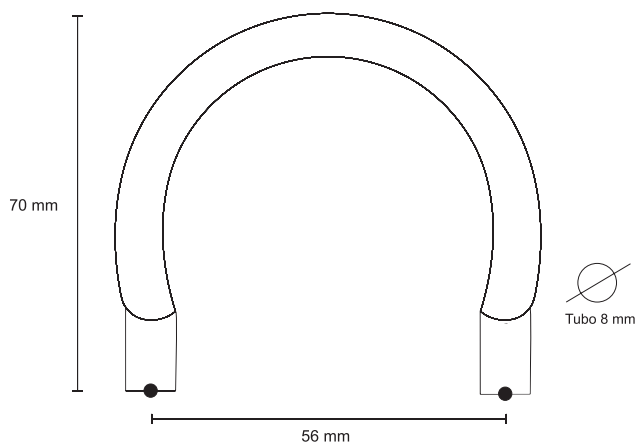
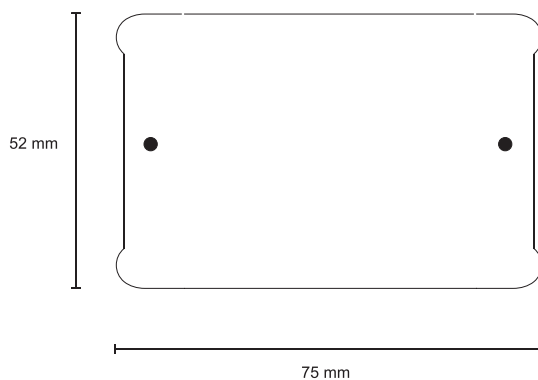
MANIGLIE PER MOBILI - FORNITURE HANDLES

STAR LUX

MADE WITH SWAROVSKI ELEMENTS

Reticube[®]
technology
WORLDWIDE PATENT

MOD. Q0130/56



FINITURE /FINISHING

CROMO/ CHROME

CORTEN

PALLADIO /PALLADIUM

PVD

OTTONE INGLESE/ ENGLISH BRASS

MATERIALE/ MATERIAL

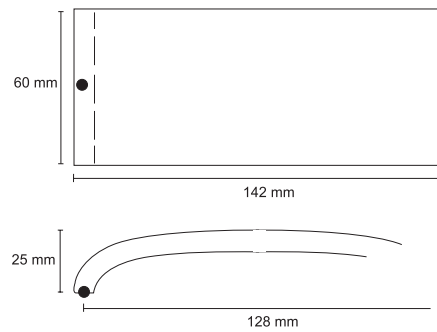
OTTONE/ SOLID BRASS

WWW.RETICUBE.IT

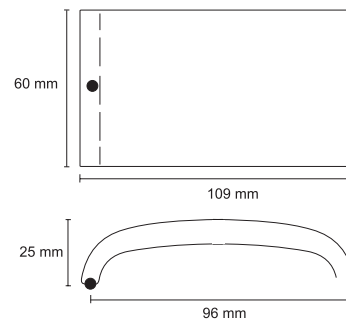
MANIGLIE PER MOBILI - FURNITURE HANDLES

TWIG

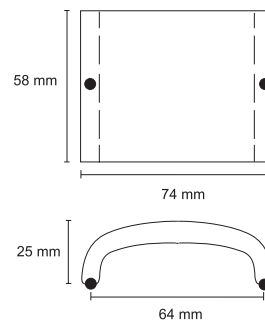
MOD. Q0085/128



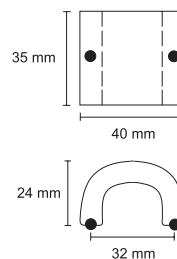
MOD. Q0085/96



MOD. Q0085/64



MOD. Q0085/32



FINITURE /FINISHING

CROMO/ CHROME

CORTEN

PALLADIO /PALLADIUM

PVD

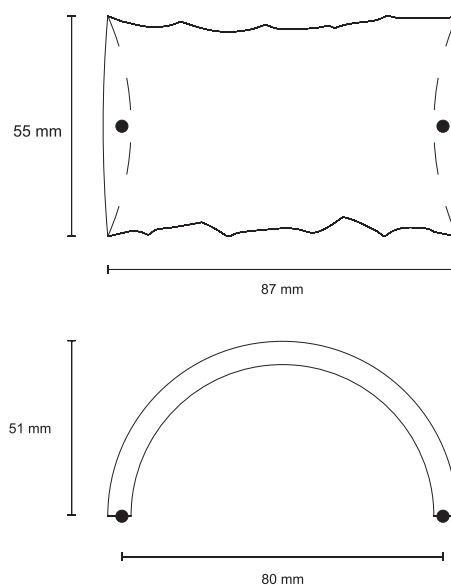
OTTONE INGLESE/ ENGLISH BRASS

MATERIALE/ MATERIAL

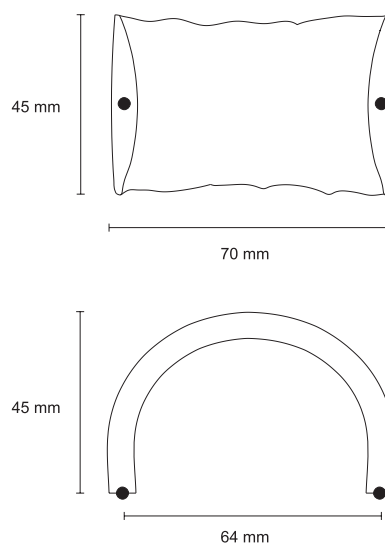
OTTONE/ SOLID BRASS

TWIST

MOD. Q0053/80



MOD. Q0053/64



FINITURE /FINISHING

CROMO/ CHROME

CORTEN

PALLADIO /PALLADIUM

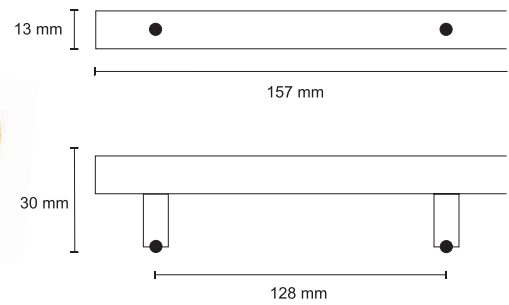
PVD

OTTONE INGLESE/ ENGLISH BRASS

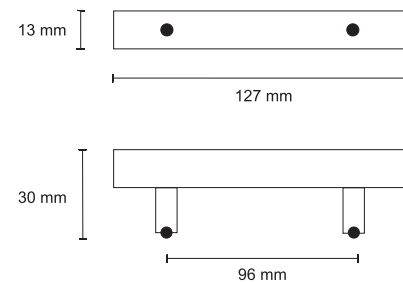
MATERIALE/ MATERIAL

OTTONE/ SOLID BRASS

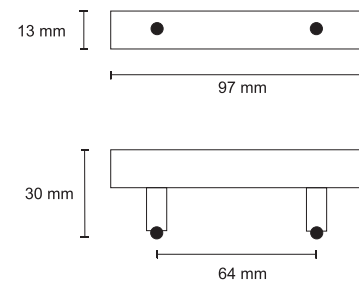
MOD. Q0149/128



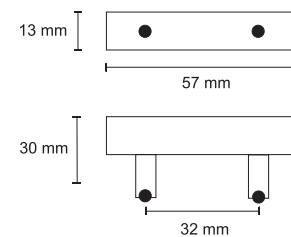
MOD. Q0149/96



MOD. Q0149/64



MOD. Q0149/32



FINITURE /FINISHING

CROMO/ CHROME
CORTEN
PALLADIO /PALLADIUM
PVD
OTTONE INGLESE/ ENGLISH BRASS

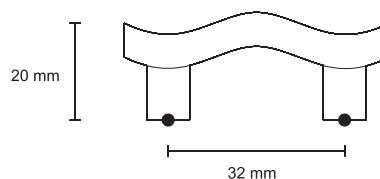
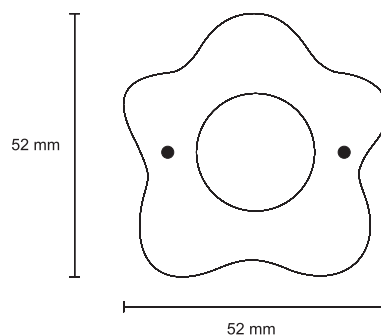
MATERIALE/ MATERIAL

OTTONE/ SOLID BRASS

ZAHUR

Reticube®
technology
WORLDWIDE PATENT

MOD. Q0174/32



FINITURE /FINISHING

CROMO/ CHROME

CORTEN

PALLADIO /PALLADIUM

PVD

OTTONE INGLESE/ ENGLISH BRASS

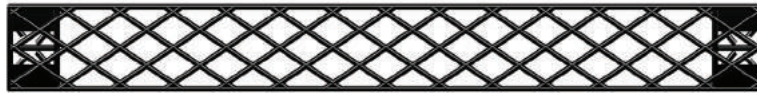
MATERIALE/ MATERIAL

OTTONE/ SOLID BRASS

WWW.RETICUBE.IT

MANIGLIE PER MOBILI - FURNITURE HANDLES

CREATI CON TE...PER TE
CREATED WHIT YOU FOR YOU



Reticube[®] technology

WORLDWIDE PATENT

DESIGN BY GUIMER SRL

VIA DELL'INDUSTRIA 8 A/B
40012 CALDERARA DI RENO (BOLOGNA) - ITALIA
TEL: +39 051 72 77 86 EMAIL: INFO@GUIMER.IT